

# 4MP LightHunter Deep Learning Bullet Network Camera

**BDTSecure2224SADFK**



## Key Features



## Optics

- **1/1.8"**, Powered by **lighthunter**
- **SmartIR**, up to **50m (164 ft)** IR distance
- **Up to 120 dB Optical WDR (Wide Dynamic Range)**

## Compression

- **Ultra 265, H.265, H.264, MJPEG**
- **Triple streams**
- **2688\*1520@30fps in the main stream**
- **ROI (Region of Interest)**

## Network

- **ONVIF Conformance**

## Structure

- **DC12V or PoE power supply**

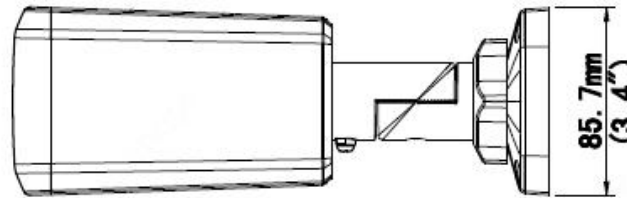
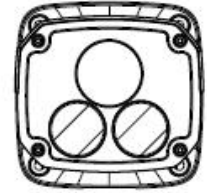
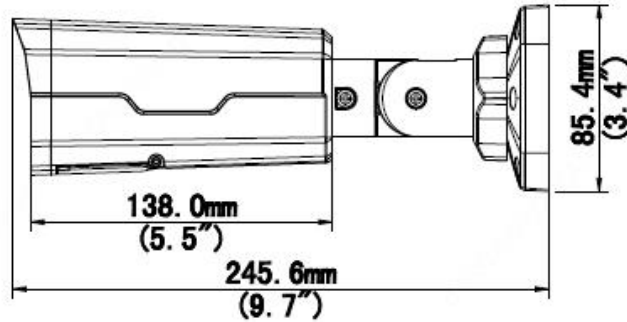
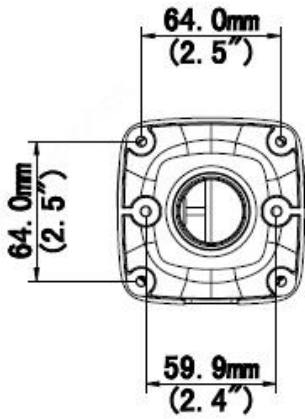
- Wide voltage range of  $\pm 25\%$  in DC
- Micro SD, up to 256 GB
- Alarm 1 in and 1 out, Audio 1 in and 1 out
- IP67 ingress protection
- IK10 vandal resistant

## Specifications

	BDTSecure2224SADF40K	BDTSecure2224SADF60K			
<b>Camera</b>					
Sensor	1/1.8", 4.0 megapixel, progressive scan, CMOS				
Lens	4mm@F1.6, fixed zoom lens		6mm@F1.6, fixed zoom lens		
Iris	Fix aperture				
DORI Distance	Lens (mm)	Detect (m)	Observe (m)	Recognize (m)	Identify (m)
	4	60.0(196.9ft)	24.0(78.7ft)	12.0(39.4ft)	6.0(19.7ft)
	6	90.0(295.3ft)	36.0(118.1ft )	18.0(59.1ft)	9.0(29.5ft)
Angle of View (H)	94.7°		68.1°		
Angle of View (V)	49.6°		41.6°		
Angle of View (O)	116.5°		83.8°		
Shutter	Auto/Manual, 1 ~ 1/100000s				
Min. Illumination	Colour:0.001lux (F1.6, AGC ON) 0 lux with IR				
WDR	120dB				
Day/Night	IR-cut filter with auto switch (ICR)				
S/N	>55dB				
IR Range	Up to 50m (164 ft) IR range				
Wavelength	850nm				
IR On/Off Control	Auto/Manual				
Defog	Digital Defog				
<b>Video</b>					
Video Compression	Ultra 265,H.265,H.264,MJPEG				
Frame Rate	Main Stream: 4MP(2688*1520),Max 30fps; 4MP(2560*1440),Max 30fps; 2MP(1920*1080),Max 30fps; Sub Stream: 2MP (1920*1080), Max 30fps; Third Stream: D1 (720*576), Max 30fps				
Video Bit Rate	128 Kbps~16 Mbps				
ROI	Supported				
Video stream	Triple streams				
OSD	Up to 8 OSDs				
Privacy Mask	Up to 8 areas(8 blacks/4 mosaics+4 blacks)				
<b>Image</b>					
White Balance	Auto/Outdoor/Fine Tune/Sodium Lamp/Locked/Auto2				
Digital noise reduction	2D/3D DNR				
Smart IR	Support				
Flip	Normal/Flip Vertical/Flip Horizontal/180°/90°Clockwise/90°Anti-clockwise				
HLC	Support				
BLC	Support				
<b>Smart</b>					
General Function	Watermark, IP Address Filtering, Tampering Alarm, Alarm input, Alarm output, Access Policy, ARP Protection, RTSP Authentication, User Authentication				

<b>Audio</b>	
<b>Audio Compression</b>	G.711U,G.711A
<b>Two way audio</b>	Supported
<b>Sampling Rate</b>	8KHZ
<b>Storage</b>	
<b>Edge Storage</b>	Micro SD, up to 256 GB
<b>Network Storage</b>	ANR,NAS(NFS)
<b>Network</b>	
<b>Protocols</b>	IPv4, IGMP, ICMP, ARP, TCP, UDP, DHCP, PPPoE, RTP, RTSP, RTCP, DNS, DDNS, NTP, FTP, UPnP, HTTP, HTTPS, SMTP, 802.1x, SNMP, QoS, RTMP
<b>Compatible Integration</b>	ONVIF (Profile S, Profile G, Profile T), API
<b>Client</b>	EZStation Ezview EZLive
<b>Web Browser</b>	Plug-in required live view: IE9+, Chrome 41 and below, Firefox 52 and below
<b>Interface</b>	
<b>Audio I/O</b>	Audio cable 1 Input: impedance 35kΩ; amplitude 2V *p-p] 1 output: impedance 600Ω; amplitude 2V *p-p]
<b>Alarm I/O</b>	1/1
<b>Network</b>	1 x RJ45 10M/100M Base-TX Ethernet
<b>Certifications</b>	
<b>Certifications</b>	CE: EN 60950-1 UL: UL60950-1 FCC: FCC Part 15
<b>General</b>	
<b>Power</b>	DC12V(±25%), PoE(IEEE802.3af) Power consumption: Max 8.5W Support overcurrent protection and input short circuit protection
<b>Dimensions (Ø x H)</b>	Φ245.6x85.7x85.4mm(Φ12.1''x3.4''x3.4'')
<b>Net Weight</b>	0.90kg(1.98lb)
<b>Material</b>	Metal
<b>Working Environment</b>	-40°C ~ 60°C (-40°F ~ 140°F), Humidity: ≤95% RH (non-condensing)
<b>Storage Environment</b>	-40°C ~ 70°C (-40°F ~ 158°F), Humidity: ≤95% RH (non-condensing)
<b>Surge protection</b>	6KV
<b>Vandal Resistant</b>	IK10
<b>Ingress Protection</b>	IP67

## Dimensions



## Accessories

TR-JB07-D-IN



TR-JB06-A-IN



TR-UP06-B-IN



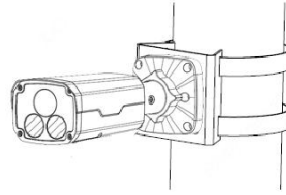
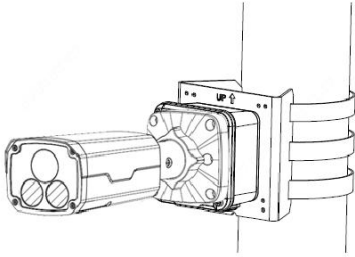
TR-UP06-C-IN



TR-A01-IN



Junction Mount	Pole Mount
TR-JB07-D-IN(TR-JB06-A-IN) + TR-UP06-C-IN	TR-UP06-B-IN



**“Reliable Integrated Video Surveillance Solutions Provider”**

**Shenzhen Starlink Technology Co.,Ltd**

No.1079, Minzhi Street, Longhua District, Shenzhen, P.R.China 518131

Email: [info@qixingtechnology.com](mailto:info@qixingtechnology.com); [qixing@qixingtechnology.com](mailto:qixing@qixingtechnology.com)

<https://www.qixingtechnology.com>

©2009-2018 Shenzhen Starlink Technology Co.,Ltd. All rights reserved.

\*Product specifications and availability are subject to change without notice.