

Network Video Recorder

BDTSecure NVR304-EP-B Series



Key Features

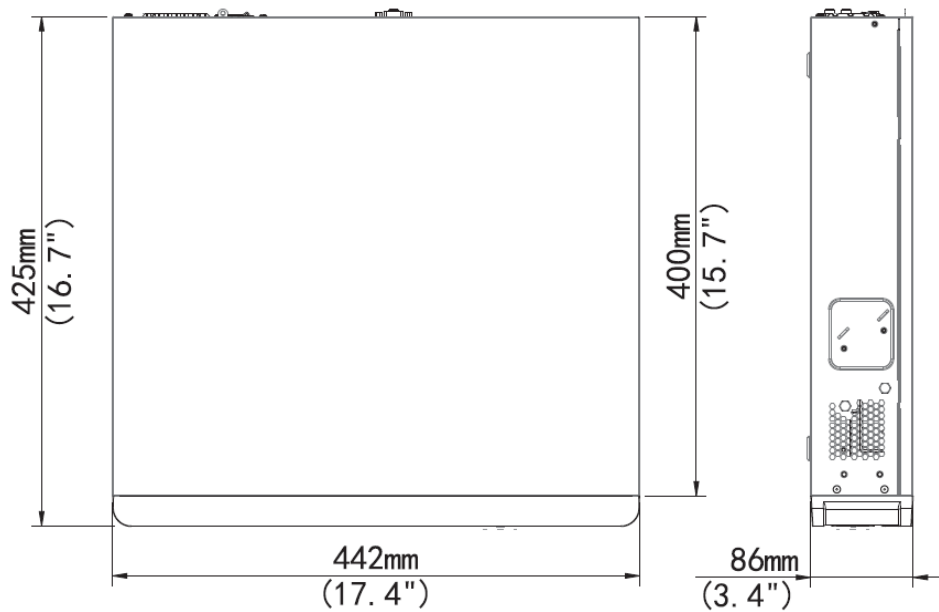
- Support Ultra 265/H.265/H.264 video formats
 - 16/32-channel input
 - Third-party IP cameras supported with ONVIF conformance: Profile S, Profile G, Profile C, Profile Q, Profile A, Profile T
 - Support 2-ch HDMI, 1-ch VGA, HDMI2 at up to 4K(3840x2160) resolution
 - HDMI1/VGA and HDMI2 independent outputs provided
 - Up to 12 Megapixels resolution recording
 - 4 SATA HDDs, Up to 10TB for each HDD
 - Various fisheye dewarping modes for live view and playback for both web interface and GUI
 - Support for 12V Power output
 - Plug & Play with up to 16 independent PoE network interfaces
 - ANR technology to enhance the storage reliability when the network is disconnected
 - Support cloud upgrade
-

Specifications

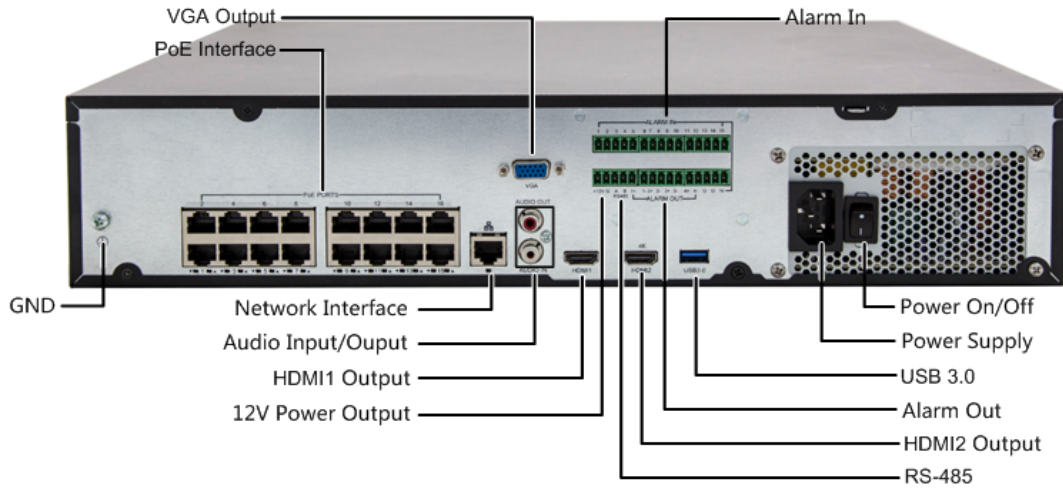
Model	BDTSecureNVR304-16EP-B	BDTSecureNVR304-32EP-B
Video/Audio Input		
IP Video Input	16-ch	32-ch
Two-way Audio Input	1-ch, RCA	
Network		
Incoming Bandwidth	160Mbps	320Mbps
Outgoing Bandwidth	320Mbps	
Remote Users	128	
Protocols	P2P, UPnP, NTP, DHCP, PPPoE	
Video/Audio Output		
HDMI/VGA output	HDMI1/VGA: 1920x1080p /60Hz, 1920x1080p /50Hz, 1600x1200 /60Hz, 1280x1024 /60Hz, 1280x720 /60Hz, 1024x768 /60Hz HDMI2: 4K (3840x2160) /60Hz, 4K (3840x2160) /30Hz, 1920x1080p /60Hz, 1920x1080p /50Hz, 1600x1200 /60Hz, 1280x1024 /60Hz, 1280x720 /60Hz, 1024x768 /60Hz	
Recording Resolution	12MP/8MP/6MP/5MP/4MP/3MP/1080p/960p/720p/D1/2CIF/CIF	
Audio Output	1-ch, RCA	
Synchronous Playback	16-ch	
Corridor Mode Screen	3/4/5/7/9/10/12/16	3/4/5/7/9/10/12/16/32
Decoding		
Decoding format	Ultra 265, H.265, H.264	
Live view/Playback	12MP/8MP/6MP/5MP/4MP/3MP/1080p/960p/720p/D1/2CIF/CIF	
Capability	3 x 12MP@25, 4 x 4K@30, 8 x 4MP@30, 16 x 1080p@30, 32 x 960p@25	
Hard Disk		
SATA	4 SATA interfaces	
Capacity	up to 10TB for each HDD	
Smart		
VCA Detection	Face detection, Intrusion detection, Cross line detection, Audio detection, Defocus detection, Scene change detection, Auto tracking	
VCA Search	Face search, Behavior search	
Statistical Analysis	People counting	
External Interface		
Network Interface	1 RJ45 10M/100M/1000M self-adaptive Ethernet Interface	
Serial Interface	1 x RS485	
USB Interface	Front panel: 2 x USB2.0 Rear panel: 1 x USB3.0	
Alarm In	16-ch	
Alarm Out	4-ch	
Power Output	12 VDC	

PoE	
Interface	16 independent 100 Mbps PoE network interfaces
Max Power	Max 30W for single port Max 200W in total (12.5W for each)
Supported Standard	IEEE 802.3at
General	
Power Supply	100 ~ 240 VAC Power Consumption: ≤ 20 W(without HDD)
Working Environment	$-10^{\circ}\text{C} \sim +55^{\circ}\text{C}$ ($+14^{\circ}\text{F} \sim +131^{\circ}\text{F}$), Humidity $\leq 90\%$ RH(non-condensing)
Dimensions(W×D×H)	442 mm× 425mm×86mm (17.4" × 16.7"×3.4")
Weight (without HDD)	≤ 5.24 Kg (11.55 lb)

Dimensions



Rear Panel



“Your Reliable Integrated Video Surveillance Solutions Provider”

Shenzhen Starlink Technology Co.,Ltd

1811, Block A, Zhantao Technology Building, Longhua District, Shenzhen, P.R.China 518131

Email: info@qixingtechnology.com; qixing@qixingtechnology.com

<https://www.qixingtechnology.com>

©2009-2018 Shenzhen Starlink Technology Co.,Ltd. All rights reserved.

*Product specifications and availability are subject to change without notice.