

Network Video Recorder

BDTSecure NVR302-E-B Series



Key Features

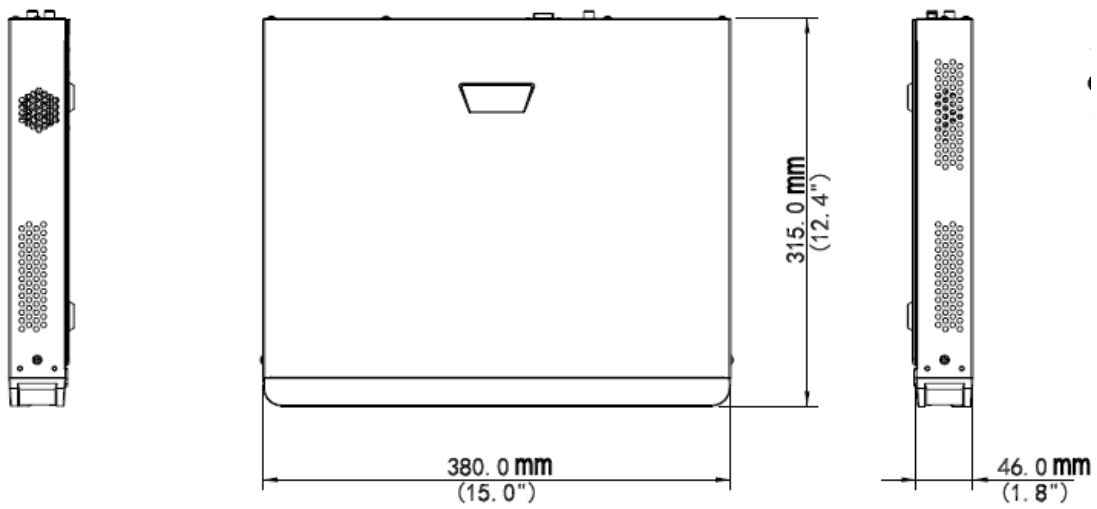
- Support Ultra 265/H.265/H.264 video formats
 - 9/16-channel input
 - Third-party IP cameras supported with ONVIF conformance: Profile S, Profile G, Profile C, Profile Q, Profile A, Profile T
 - Support 1-ch HDMI, 1-ch VGA, HDMI at up to 4K(3840x2160) resolution
 - HDMI and VGA simultaneous output
 - Up to 12 Megapixels resolution recording
 - 2 SATA HDDs, Up to 10TB for each disk
 - Various fisheye dewarping modes for live view and playback for both web interface and GUI
 - ANR technology to enhance the storage reliability when the network is disconnected
 - Support cloud upgrade
-

Specifications

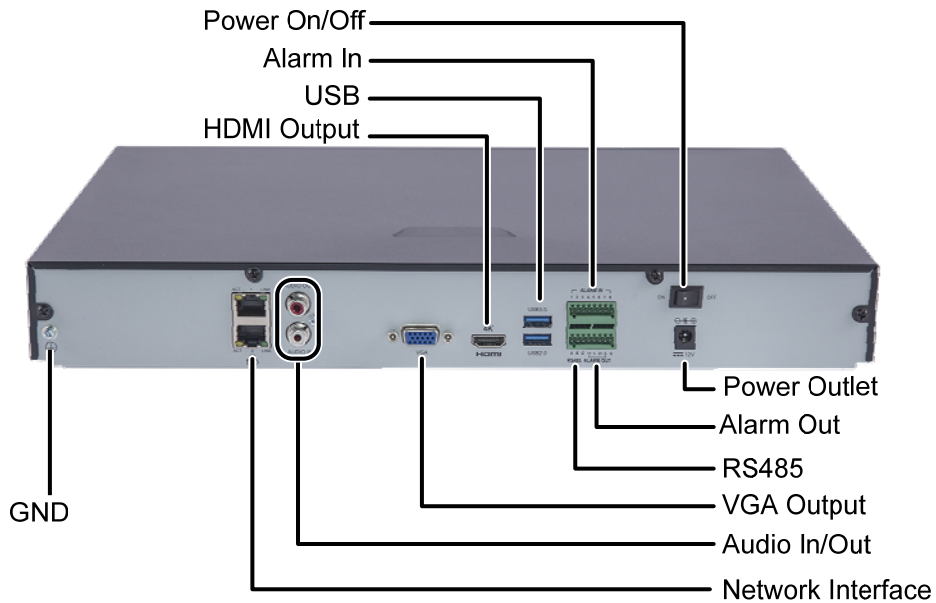
Model	BDTSecureNVR302-09E-B	BDTSecureNVR302-16E-B
Video/Audio Input		
IP Video Input	9-ch	16-ch
Two-way Audio Input	1-ch, RCA	
Network		
Incoming Bandwidth	90Mbps	160Mbps
Outgoing Bandwidth	180Mbps	320Mbps
Remote Users	128	
Protocols	P2P, UPnP, NTP, DHCP, PPPoE	
Video/Audio Output		
HDMI/VGA Output	HDMI: 4K (3840x2160) /60Hz, 4K (3840x2160) /30Hz, 1920x1080p /60Hz, 1920x1080p /50Hz, 1600x1200 /60Hz, 1280x1024 /60Hz, 1280x720 /60Hz, 1024x768 /60Hz VGA: 1920x1080p /60Hz, 1920x1080p /50Hz, 1280x1024 /60Hz, 1280x720 /60Hz, 1024x768 /60Hz	
Recording Resolution	12MP/8MP/6MP/5MP/4MP/3MP/1080p/960p/720p/D1/2CIF/CIF	
Audio Output	1-ch, RCA	
Synchronous Playback	9-ch	16-ch
Corridor Mode Screen	3/4/5/7/9	3/4/5/7/9/10/12/16
Decoding		
Decoding format	Ultra 265, H.265, H.264	
Live View/ Playback	12MP/8MP/6MP/5MP/4MP/3MP/1080p/960p/720p/D1/2CIF/CIF	
Capability	3 x 12MP@25, 4 x 4K@30, 9 x 4MP@25, 16 x 1080p@30	
Hard Disk		
SATA	2 SATA interfaces	
Capacity	up to 10TB for each disk	
Smart		
VCA Detection	Face detection, Intrusion detection, Cross line detection, Audio detection, Defocus detection, Scene change detection, Auto tracking	
VCA Search	Face search, Behavior search	
Statistical Analysis	People counting	
External Interface		
Network Interface	2 RJ45 10M/100M/1000M self-adaptive Ethernet Interfaces	
Serial Interface	1 x RS485	
USB Interface	Front panel: 1 x USB2.0 Rear panel: 1 x USB2.0, 1 x USB3.0	
Alarm In	8-ch	
Alarm Out	2-ch	
General		
Power Supply	12V DC	

	Power Consumption: ≤ 20 W(without HDD)
Working Environment	-10°C ~ + 55°C (+14°F ~ +131°F), Humidity $\leq 90\%$ RH(non-condensing)
Dimensions(W×D×H)	380mm × 315mm ×46mm (15.0"× 12.4" ×1.8")
Weight (without HDD)	≤ 2.48 Kg (5.47 lb)

Dimensions



Rear Panel



“Your Reliable Integrated Video Surveillance Solutions Provider”

Shenzhen Starlink Technology Co.,Ltd

1811, Block A, Zhantao Technology Building, Longhua District, Shenzhen, P.R.China 518131

Email: info@qixingtechnology.com; qixing@qixingtechnology.com

<https://www.qixingtechnology.com>

©2009-2018 Shenzhen Starlink Technology Co.,Ltd. All rights reserved.

*Product specifications and availability are subject to change without notice.