

2MP Fixed Dome Network Camera

BDTSecure3612LR3



Key Features

Optics

- Day/night functionality
- Smart IR, up to 30m (98ft) IR distance
- 3D DNR (Digital Noise Reduction)

Compression

- Ultra 265, H.265, H.264, MJPEG
- ROI (Region of Interest)

Network

- ONVIF Conformance

Structure

- Wide temperature range: -30°C to 60°C (-22°F to 140°F)
- Wide voltage range of $\pm 25\%$
- IP67
- 3-Axis

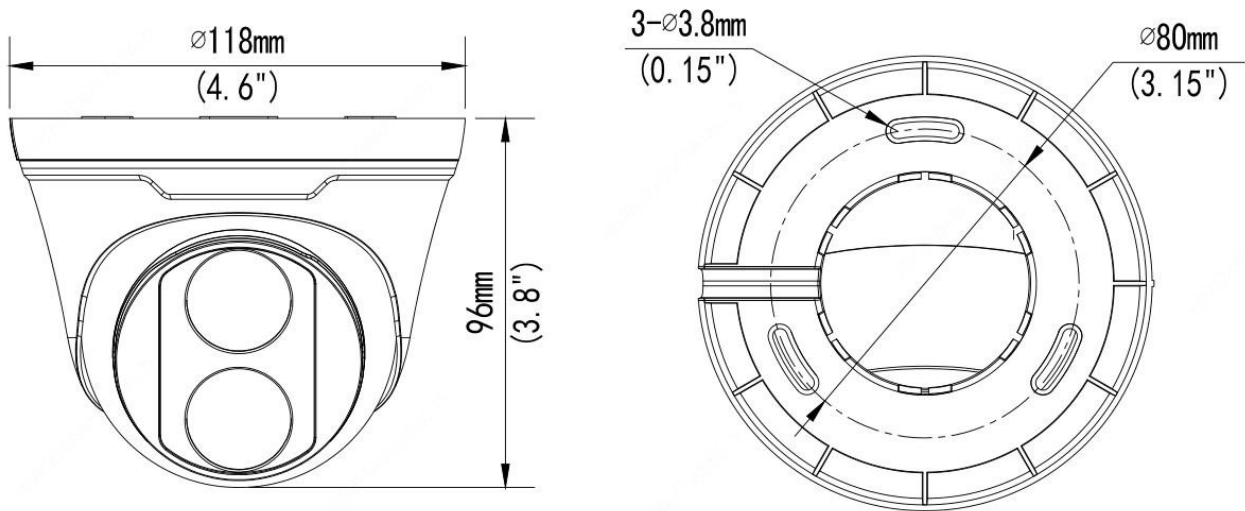
Specifications

| | BDTSecure3612LR3PF28D | BDTSecure3612LR3PF40D | | | |
|------------------------|---------------------------------------------------------------------------------------------------------------------------------------------|-----------------------|--------------|--------------|-----------------|
| Camera | | | | | |
| Sensor | 1/2.7", 2megapixel, progressive scan, CMOS | | | | |
| Lens | 2.8mm@F2.0 | | | 4.0mm@2.0 | |
| DORI Distance | Lens | Detect(m) | Observe(m) | Recognize(m) | Identify(m) |
| | 2.8mm | 46.7 | 18.7 | 9.3 | 4.7 |
| | 4.0mm | 66.7 | 26.7 | 13.3 | 6.7 |
| Angle of view(H) | 112.7° | | | 86.5° | |
| Angle of View (V) | 60.1° | | | 44.1° | |
| Angle of View (O) | 146.5° | | | 106.4° | |
| Shutter | Auto/Manual, 1~1/100000 s | | | | |
| Adjustment angle | Pan: 0°~360° | | Tilt: 0°~90° | | Rotate: 0°~360° |
| Min. Illumination | Colour: 0.02 Lux (F2.0, AGC ON) 0 Lux with IR | | | | |
| IR Range | Up to 30m (98 ft) IR range | | | | |
| Day/Night | IR-cut filter with auto switch (ICR) | | | | |
| S/N | >52dB | | | | |
| WDR | Supported | | | | |
| Noise Reduction | 2D/3D | | | | |
| Video | | | | | |
| Max. Resolution | 1920×1080 | | | | |
| Video Compression | Ultra 265,H.265,H.264,MJPEG | | | | |
| Frame Rate | Main Stream:1080P(1920*1080): Max. 30 fps; Sub Stream: 720P(1280*720): Max. 30 fps; Third Stream: CIF (352*288): Max. 30 fps | | | | |
| HLC | Supported | | | | |
| BLC | Supported | | | | |
| OSD | Up to 4 OSDs | | | | |
| Privacy Mask | Up to 8 areas | | | | |
| ROI | Up to 2 areas | | | | |
| Motion Detection | Up to 4 areas | | | | |
| Network | | | | | |
| Protocols | IPv4, IGMP, ICMP, ARP, TCP, UDP, DHCP, RTP, RTSP, RTCP, DNS, DDNS, NTP, FTP, UPnP, HTTP, HTTPS, SMTP, SSL | | | | |
| Compatible Integration | ONVIF(Profile S, Profile T),API | | | | |
| Interface | | | | | |
| Network | 10/100M Base-TX Ethernet | | | | |
| General | | | | | |
| Power | 12 V DC±25%, PoE (IEEE802.3 af) | | | | |
| | Power consumption: Max 4.5W | | | | |
| Dimensions (Ø x H) | Φ 118x 96 mm (Φ4.6" x 3.8") | | | | |
| Weight | 0.3kg (0.44lb) | | | | |
| Working Environment | -30°C ~ +60°C (-22°F ~ 140°F), Humidity :10%~90% RH(non-condensing) | | | | |

Ingress Protection

IP67

Dimensions



“Your Reliable Integrated Video Surveillance Solutions Provider”

Shenzhen Starlink Technology Co.,Ltd

1811, Block A, Zhantao Technology Building, Longhua District, Shenzhen, P.R.China 518131

Email: info@qixingtechnology.com; qixing@qixingtechnology.com

<https://www.qixingtechnology.com>

©2009-2018 Shenzhen Starlink Technology Co.,Ltd. All rights reserved.

*Product specifications and availability are subject to change without notice.