

2MP Vandal-resistant IR Fixed Mini Dome Camera

BDTSecure312SRC



Key Features

Optics

- Day/night functionality
- Smart IR, up to 15 m (49 ft) IR distance
- 2D/3D DNR (Digital Noise Reduction)
- Car-grade LEDs, brighter and uniform light compensation

Compression

- Ultra 265, H.265, H.264, MJPEG
- Embedded smart algorithm
- Triple streams
- ROI (Region of Interest)
- Customized OSD

Network

- ONVIF Conformance

Structure

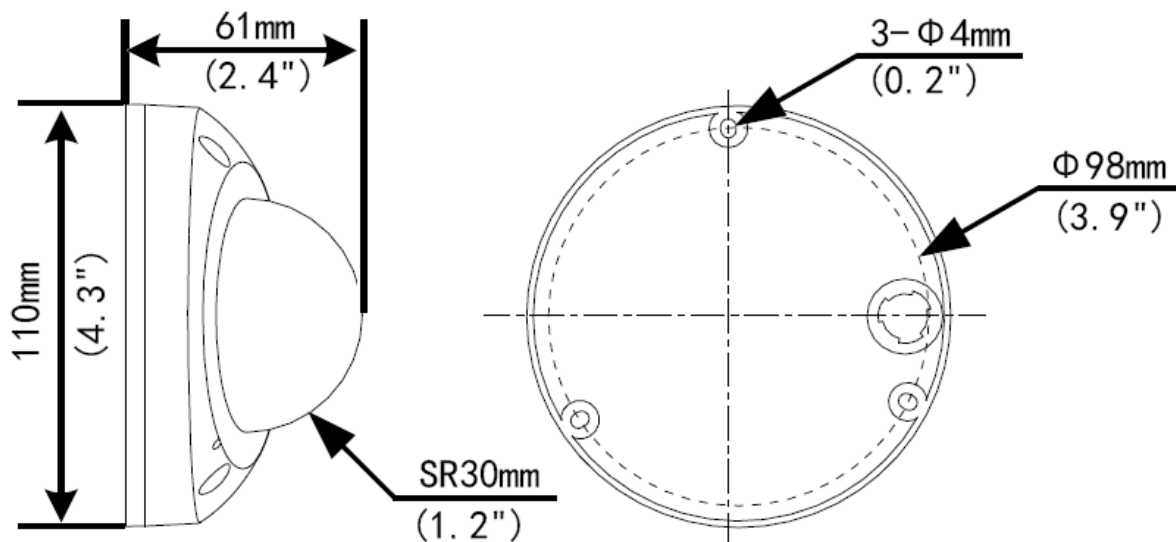
- Wide temperature range: -35°C to 60°C (-31°F to 140°F)
- Wide voltage range of $\pm 25\%$
- Built-in microphone
- IK10 vandal resistant
- IP66

Specifications

	BDTSecure312SR28C	BDTSecure312SR40C
Camera		
Sensor	1/2.9", progressive scan ,2.0 megapixel, CMOS	
Lens	2.8mm@F2.0	4.0 mm@F2.0
Angle of View (H)	105.2°	83.7°
Shutter	Auto/Manual, 1/6~1/100000 s	
Minimum Illumination	Colour: 0.005Lux (F2.0, AGC ON) 0 Lux with IR	
Day/Night	IR-cut filter with auto switch (ICR)	
Digital noise reduction	2D/3D DNR	
S/N	≥52dB	
IR Range	Up to 15m (49 ft) IR range	
Defog	Digital Defog	
WDR	DWDR	
Video		
Video Compression	Ultra 265,H.265, H.264,MJPEG	
H.264 code profile	Baseline profile, Main Profile, High Profile	
Frame Rate	Main Stream:2MP (1920×1080): Max. 30 fps; Sub Stream:2MP (1920×1080): Max. 30 fps; Third Stream:D1 (720×576): Max. 30 fps	
HLC	Supported	
BLC	Supported	
9:16 Corridor Mode	Supported	
OSD	Up to 8 OSDs	
Privacy Mask	Up to 8 areas	
ROI	Up to 8 areas	
Motion Detection	Up to 4 areas	
Smart		
Behavior Detection	Intrusion, cross line, motion detection	
Exception Detection	Audio detection	
Intelligent Identification	Face detection, Defocus, Scene Change	
Statistical Analysis	People counting	
General Function	Watermark, IP Address Filtering, Tampering Alarm, Access Policy, ARP Protection, RTSP Authentication, User Authentication	
Audio		
Audio Compression	G.711	
Two-way audio	Supported	
Suppression	Supported	
Sampling Rate	8 KHZ	
Storage		
Edge Storage	Micro SD, Up to 256 GB	

Network Storage	ANR
Network	
Protocols	IPv4, IGMP, ICMP, ARP, TCP, UDP, DHCP, PPPoE, RTP, RTSP, RTCP, DNS, DDNS, NTP, FTP, UPnP, HTTP, HTTPS, SMTP, 802.1x, SNMP
Compatible Integration	ONVIF(Profile S, Profile G), API
Interface	
Audio I/O	audio cable
	Input: impedance 35 k Ω ; amplitude 2 V [p-p]
	Output: impedance 600 Ω ; amplitude 2 V [p-p]
Built-in Mic	Supported
Network	1 RJ45 10M/100M Base-TX Ethernet
General	
Power	12 V DC \pm 25%, PoE (IEEE 802.3af)
	Power consumption: Max 4.5W
Dimensions (\varnothing x H)	\varnothing 110 x 61 mm (\varnothing 4.3" x 2.4")
Weight	0.25 kg (0.55 lb)
Working Environment	-35°C ~ +60°C (-31°F ~ 140°F), Humidity:10%~95% RH(non-condensing)
Ingress Protection	IP66
Vandal Resistant	IK10

Dimensions



Accessories

Installation mode	Accessories	Description
Ceiling mount	Mounting pedestal is included in the Product package	TR-JB03-D-IN junction box and TR-A01-IN waterproof joint for the junction is optional



“Your Reliable Integrated Video Surveillance Solutions Provider”

Shenzhen Starlink Technology Co.,Ltd

1811, Block A, Zhantao Technology Building, Longhua District, Shenzhen, P.R.China 518131

Email: info@qixingtechnology.com; qixing@qixingtechnology.com

<https://www.qixingtechnology.com>

©2009-2018 Shenzhen Starlink Technology Co.,Ltd. All rights reserved.

*Product specifications and availability are subject to change without notice.