

2MP Network IR Fixed Dome Camera

BDTSecure3232ERC



Key Features

Optics

- Day/night functionality
- SmartIR, up to 30 m (98 ft) IR distance
- Lowlight surveillance
- 2D/3D DNR (Digital Noise Reduction)

Compression

- Ultra 265, H.265, H.264, MJPEG
- Embedded smart algorithm
- Triple streams
- ROI (Region of Interest)
- 9:16 corridor mode

Network

- ONVIF Conformance

Structure

Support PoE power supply

Built-in PoE splitter that outputs DC 12V

Wide temperature range: -40°C to 60°C (-40°F to 140°F)

Wide voltage range of $\pm 25\%$

IK10 vandal resistant

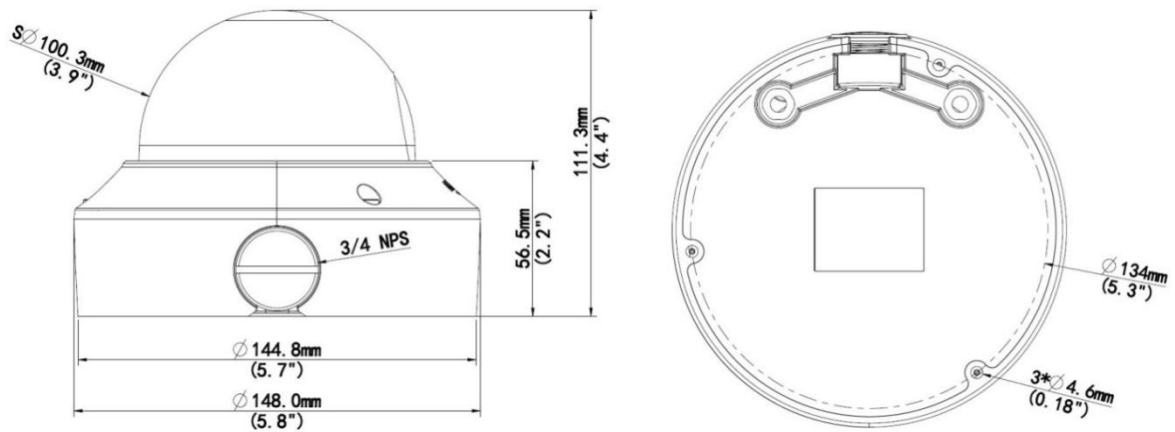
IP67

Specifications

	BDTSecure3232ERDVC	BDTSecure3232ERVSC
Camera		
Sensor	1/2.8", progressive scan ,2.0 megapixel, CMOS	
Lens	2.8~12mm@ F1.6 Manual	
Angle of View (H)	94.0° (wide) ~28.0° (tele)	
Shutter	Auto/Manual, 1/6~1/100000 s	
Minimum Illumination	Colour: 0.001Lux (F1.6, AGC ON) 0 Lux with IR	
Day/Night	IR-cut filter with auto switch (ICR)	
Digital noise reduction	2D/3D DNR	
S/N	>52dB	
IR Range	Up to 30m (98 ft) IR range	
Defog	Digital Defog	
WDR	120dB	120dB
Video		
Video Compression	Ultra 265,H.265, H.264, MJPEG	
H.264 code profile	Baseline profile, Main Profile, High Profile	
Frame Rate	Main Stream:2MP (1920×1080): Max. 30 fps; Sub Stream:2MP (1920×1080): Max. 30 fps; Third Stream:D1 (720×576): Max. 30 fps	
HLC	Supported	
BLC	Supported	
9:16 Corridor Mode	Supported	
OSD	Up to 8 OSDs	
Privacy Mask	Up to 8 areas	
ROI	Up to 8 areas	
Motion Detection	Up to 4 areas	
Audio		
Audio Compression	G.711	N/A

Two-way audio	Supported	N/A
Suppression	Supported	N/A
Sampling Rate	8 KHZ	N/A
Smart		
Behavior Detection	Intrusion, cross line, motion detectio	
Exception Detection	Audio detection	N/A
Intelligent Identification	Face detection, Defocus, Scene Change	
Statistical Analysis	People counting	
General Function	Watermark, IP Address Filtering, Tampering Alarm, Alarm input, Alarm output, Access Policy, ARP Protection, RTSP Authentication, User Authentication	Watermark, IP Address Filtering, Tampering Alarm, Access Policy, ARP Protection, RTSP Authentication, User Authentication
Storage		
Edge Storage	Micro SD, up to 256 GB	
Network		
Protocols	IPv4, IGMP, ICMP, ARP, TCP, UDP, DHCP, PPPoE, RTP, RTSP, RTCP, DNS, DDNS, NTP, FTP, UPnP, HTTP, HTTPS, SMTP, 802.1x, SNMP	
Compatible Integration	ONVIF(Profile S, Profile G), API	
Interface		
Audio I/O	Audio cable	N/A
	Input: impedance 35 k Ω ; amplitude 2 V [p-p]	N/A
	Output: impedance 600 Ω ; amplitude 2 V [p-p]	N/A
Alarm I/O	1/ 1	N/A
Network	1 RJ45 10M/100M Base-TX Ethernet	
Video Output	1 BNC, impedance 75 Ω ; amplitude 1 V [p-p]	1 BNC, impedance 75 Ω ; amplitude 1 V [p-p]
General		
Power	DC12V \pm 25%, PoE (IEEE802.3 af)	
	Power consumption: max. 7.2 W	
Dimensions (\varnothing x H)	\varnothing 148 x 111.3 mm (\varnothing 5.8" x 4.4")	
Weight	0.92kg (2.0lb)	
Working Environment	-40°C ~ +60°C (-40°F ~ 140°F), Humidity:10%~90% RH(non-condensing)	
Ingress Protection	IP67	
Vandal Resistant	IK10	
Reset Button	Supported	

Dimensions



Accessories

Installation mode	Accessories	Description
Ceiling mount	Mounting pedestal is included in the product package	For indoor ceiling installation



“Your Reliable Integrated Video Surveillance Solutions Provider”

Shenzhen Starlink Technology Co.,Ltd

1811, Block A, Zhantao Technology Building, Longhua District, Shenzhen, P.R.China 518131

Email: info@qixingtechnology.com; qixing@qixingtechnology.com

<https://www.qixingtechnology.com>

©2009-2018 Shenzhen Starlink Technology Co.,Ltd. All rights reserved.

*Product specifications and availability are subject to change without notice.