

5MP VF Vandal-resistant Network IR Fixed Dome Camera

BDTSecure3235LR3D



Key Features

Optics

- Day/night functionality
- Smart IR , up to 30 m (98 ft) IR distance
- IR anti-reflection window to increase the infrared transmittance
- 2D/3D DNR (Digital Noise Reduction)

Compression

- Ultra 265,H.265, H.264, MJPEG
- ROI (Region of Interest)

Network

- ONVIF Conformance

Structure

Wide temperature range: -40°C to 60°C (-40°F to 140°F)

Wide voltage range of $\pm 25\%$

IK10 vandal resistant

IP67

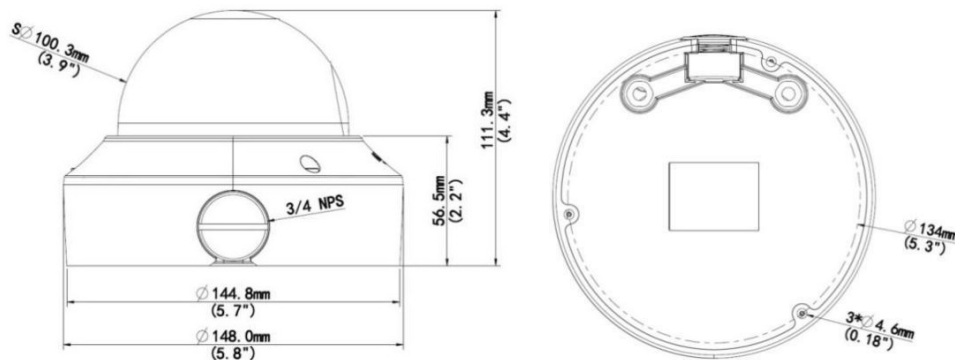
3-Axis

Specifications

| | BDTSecure3235LR3VSPD | | BDTSecure3235LR3Z28D | | |
|-------------------------|---|-----------|--------------------------------|--------------|-----------------|
| Camera | | | | | |
| Sensor | 1/2.7", 5.0 megapixel, progressive scan, CMOS | | | | |
| Lens | 2.8~12 mm, manual zoom lens | | 2.8~12 mm, motorized zoom lens | | |
| DORI Distance | Lens | Detect(m) | Observe(m) | Recognize(m) | Identify(m) |
| | 2.8mm | 63 | 25.2 | 12.6 | 6.3 |
| | 12mm | 270 | 108 | 54 | 27 |
| Angle of View (H) | 105.3°~25.4° | | | | |
| Angle of View (V) | 69.5°~18.4° | | | | |
| Angle of View (O) | 136.9°~31.2° | | | | |
| Adjustment angle | Pan: 0°~360° | | Tilt: 0°~80° | | Rotate: 0°~360° |
| Shutter | Auto/Manual, 1~1/100000 s | | | | |
| Minimum Illumination | Colour: 0.005Lux (F1.6 AGC ON) 0 Lux with IR | | | | |
| Day/Night | IR-cut filter with auto switch (ICR) | | | | |
| Digital noise reduction | 2D/3D DNR | | | | |
| IR Range | Up to 30m (98 ft) IR range | | | | |
| Defog | Digital Defog | | | | |
| WDR | DWDR | | | | |
| Video | | | | | |
| Video Compression | Ultra 265,H.265, H.264,MJPEG | | | | |
| H.264 code profile | Baseline profile, Main Profile | | | | |
| Frame Rate | Main Stream:5MP (2592*1944): Max. 20fps; Sub Stream: 720P (1280*720): Max. 20 fps; | | | | |
| HLC | Supported | | | | |
| BLC | Supported | | | | |
| OSD | Up to 4 OSDs | | | | |
| Privacy Mask | Up to 4 areas | | | | |
| ROI | Up to 2 areas | | | | |
| Motion Detection | Up to 4 areas | | | | |
| Network | | | | | |
| Protocols | IPv4, IGMP, ICMP, ARP, TCP, UDP, DHCP, RTP, RTSP, RTCP, DNS, DDNS, NTP, FTP, UPnP, HTTP, HTTPS, SMTP, SSL | | | | |

| | |
|------------------------|---|
| Compatible Integration | ONVIF(Profile S, Profile G, Profile T), API |
| Interface | |
| Network | 1 RJ45 10M/100M Base-TX Ethernet |
| Edge Storage | MicroSD, up to 256GB |
| General | |
| Power | DC12V±25%, PoE (IEEE802.3 af) |
| | Power consumption: Max 8.7W |
| Dimensions (Ø x H) | Φ148 x 111.3 mm (Ø5.8" x 4.4") |
| Weight | 0.92kg (2.0lb) |
| Working Environment | -40°C ~ +60°C (-40°F ~ 140°F), Humidity:10%~ 95% RH(non-condensing) |
| Ingress Protection | IP67 |
| Vandal Resistant | IK10 |
| Reset Button | Supported |

Dimensions



“Your Reliable Integrated Video Surveillance Solutions Provider”

Shenzhen Starlink Technology Co.,Ltd

1811, Block A, Zhantao Technology Building, Longhua District, Shenzhen, P.R.China 518131

Email: info@qixingtechnology.com; qixing@qixingtechnology.com

<https://www.qixingtechnology.com>

©2009-2018 Shenzhen Starlink Technology Co.,Ltd. All rights reserved.

*Product specifications and availability are subject to change without notice.