

# 2MP WDR Super Starlight (Motorized) VF Eyeball Network IR Camera

BDTSecure3632ER3C



## Key Features

### Optics

- Super Starlight illumination
- Day/night functionality
- Optical glass window with higher light transmittance
- IR anti-reflection window to increase the infrared transmittance
- Smart IR, up to 30 m (98 ft) IR distance
- 2D/3D DNR (Digital Noise Reduction)
- Built-in motorized lens for remote zoom

### Compression

- Ultra 265, H.264, MJPEG
- Embedded smart algorithm
- Triple streams
- 9:16 corridor mode

### Network

- ONVIF Conformance

## Structure

Support PoE power supply

Wide temperature range: -40°C to 60°C (-40°F to 140°F)

Wide voltage range of  $\pm 25\%$

IP67

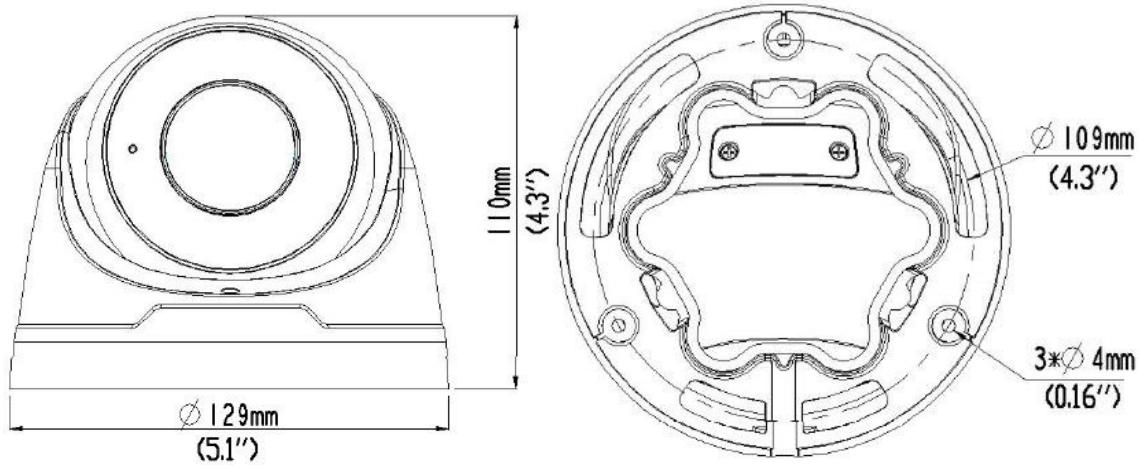
3-Axis

## Specifications

BDTSecure3632ER3C																
<b>Camera</b>																
Sensor	1/2.8", progressive scan, 2.0 megapixel, CMOS															
Lens	2.7~13.5 mm, AF automatic focusing and motorized zoom lens															
DORI Distance	<table border="1"> <thead> <tr> <th>Lens</th> <th>Detect(m)</th> <th>Observe(m)</th> <th>Recognize(m)</th> <th>Identify(m)</th> </tr> </thead> <tbody> <tr> <td>2.7mm</td> <td>41.9</td> <td>16.8</td> <td>8.4</td> <td>4.2</td> </tr> <tr> <td>13.5mm</td> <td>309.5</td> <td>83.8</td> <td>41.9</td> <td>20.9</td> </tr> </tbody> </table>	Lens	Detect(m)	Observe(m)	Recognize(m)	Identify(m)	2.7mm	41.9	16.8	8.4	4.2	13.5mm	309.5	83.8	41.9	20.9
	Lens	Detect(m)	Observe(m)	Recognize(m)	Identify(m)											
	2.7mm	41.9	16.8	8.4	4.2											
13.5mm	309.5	83.8	41.9	20.9												
Angle of view(H)	121.36°~33.51°															
Angle of View (V)	74.1°~13.2°															
Angle of View (O)	157.8°~41.2°															
Adjustment angle	Pan: 0°~360°      Tilt: 0°~90°      Rotate: 0°~360°															
Shutter	Auto/Manual, shutter time: 1~1/100000 s															
Minimum Illumination	Colour: 0.0005 Lux (F1.2, AGC ON) 0 Lux with IR															
Day/Night	IR-cut filter with auto switch (ICR)															
Digital noise reduction	2D/3D DNR															
S/N	>52dB															
IR Range	Up to 30m (98 ft) IR range															
Defog	Digital Defog															
WDR	120dB															
<b>Video</b>																
Video Compression	Ultra 265, H.264, MJPEG															
H.264 code profile	Baseline profile, Main Profile, High Profile															
Frame Rate	Main Stream: 2MP(1920 x 1080): Max. 30 fps ; Sub Stream: 2MP(1920 x 1080): Max. 30 fps; Third Stream: D1(720 x 576): Max. 30 fps;															
9:16 Corridor Format	Supported															
HLC	Supported															
BLC	Supported															
OSD	Up to 8 OSDs															
Privacy Mask	Up to 8 areas															
ROI	Up to 8 areas															
Motion Detection	Up to 4 areas															

Smart	
Behavior Detection	Intrusion, cross line, motion detection
Intrusion	Enter and loiter in a pre-defined virtual region
cross line	Cross a pre-defined virtual line
motion detection	Moving within a pre-defined virtual region
Recognition	Face detection、 Audio detection
Intelligent Identification	Defocus, Scene Change, Object Left, Object Moving
Statistical Analysis	People counting
General Function	Watermark, IP Address Filtering, Tampering Alarm, Access Policy, ARP Protection, RTSP Authentication, User Authentication
Audio	
Audio Compression	G.711
Suppression	Supported
Sampling Rate	8 KHZ
Storage	
Edge Storage	Micro SD, up to 256 GB
Network Storage	ANR
Network	
Protocols	IPv4, IGMP, ICMP, ARP, TCP, UDP, DHCP, PPPoE, RTP, RTSP, RTCP, DNS, DDNS, NTP, FTP, UPnP, HTTP, HTTPS, SMTP, 802.1x, SNMP
Compatible Integration	ONVIF(Profile S, Profile G, Profile T),API
Interface	
Network	1 RJ45 10M/100M Base-TX Ethernet
Built-in Mic	Supported
General	
Power	12 V DC±25%, PoE (IEEE802.3 af)
	Power consumption: Max 8.16W
Dimensions (Ø x H)	Φ129 x 110 mm (Ø5.08" x 4.3")
Weight	0.67 kg (1.48lb)
Working Environment	-40°C ~ +60°C (-40°F ~ 140°F), Humidity: 10%~90% RH(non-condensing)
Ingress Protection	IP67
Reset Button	Supported

## Dimensions



**“Your Reliable Integrated Video Surveillance Solutions Provider”**

**Shenzhen Starlink Technology Co.,Ltd**

1811, Block A, Zhantao Technology Building, Longhua District, Shenzhen, P.R.China 518131

Email: [info@qixingtechnology.com](mailto:info@qixingtechnology.com); [qixing@qixingtechnology.com](mailto:qixing@qixingtechnology.com)

<https://www.qixingtechnology.com>

©2009-2018 Shenzhen Starlink Technology Co.,Ltd. All rights reserved.

\*Product specifications and availability are subject to change without notice.