

# 2MP Mini Fixed Bullet Network Camera

BDTSecure2122SR3APF



## Key Features

### Optics

- Day/night functionality
- Smart IR , up to 30 m (98 ft) IR distance
- Optical glass window with higher light transmittance
- IR anti-reflection window to increase the infrared transmittance
- 2D/3D DNR (Digital Noise Reduction)

### Compression

- Ultra 265, H.265, H.264, MJPEG
- Embedded smart algorithm
- Triple streams
- 9:16 corridor format

### Network

- ONVIF Conformance

### Structure

- Wide temperature range: -35°C to 60°C (-31°F to 140°F)

Wide voltage range of  $\pm 25\%$

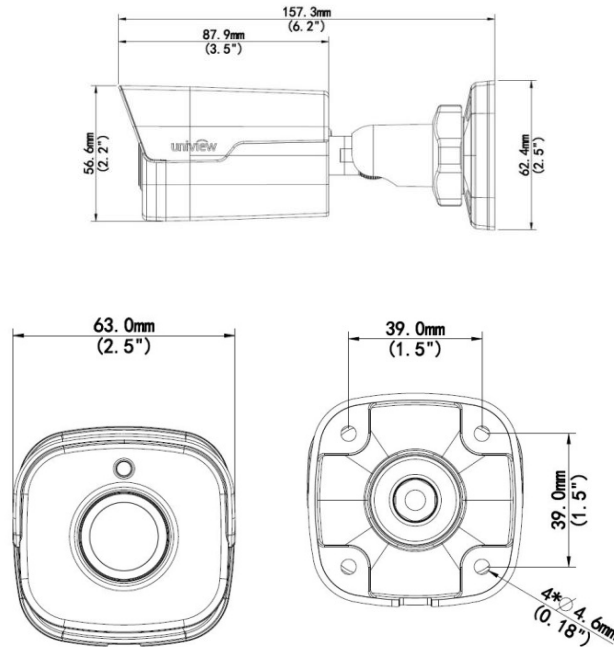
IP67

## Specifications

	BDTSecure2122SR34APF	BDTSecure2122SR36APF
<b>Camera</b>		
Sensor	1/2.7", progressive scan, 2.0 megapixel, CMOS	
Lens	4.0mm@ F1.6	6.0mm@ F1.6
Angle of View(H)	84.8°	54.9°
Shutter	Auto/Manual, 1/6~1/100000 s	
Minimum Illumination	Colour: 0.005Lux (F1.6, AGC ON) 0 Lux with IR on	
Day/Night	IR-cut filter with auto switch (ICR)	
Digital noise reduction	2D/3D DNR	
S/N	>52dB	
IR Range	Up to 30m (98 ft) IR range	
Defog	Digital Defog	
WDR	DWDR	
<b>Video</b>		
Video Compression	Ultra 265, H.265, H.264, MJPEG	
H.264 code profile	Baseline profile, Main Profile, High Profile	
Frame Rate	Main Stream: 2MP (1920×1080): Max. 30 fps; Sub Stream: 2MP (1920×1080): Max. 30 fps; Third Stream: D1 (720×576): Max. 30 fps	
9:16 Corridor Mode	Supported	
HLC	Supported	
BLC	Supported	
OSD	Up to 8 OSDs	
Privacy Mask	Up to 8 areas	
ROI	Up to 8 areas	
Motion Detection	Up to 4 areas	
<b>Smart</b>		
Behavior Detection	Intrusion, cross line, motion detection	
Exception Detection	Audio detection	
Intelligent Identification	Face detection, Defocus, Scene Change	
Statistical Analysis	People counting	
General Function	Watermark, IP Address Filtering, Tampering Alarm, Alarm input, Alarm output, Access Policy, ARP Protection, RTSP Authentication, User Authentication	
<b>Audio</b>		
Audio Compression	G.711	
Suppression	Supported	

Sampling Rate	8 KHZ
<b>Network</b>	
Protocols	IPv4, IGMP, ICMP, ARP, TCP, UDP, DHCP, PPPoE, RTP, RTSP, RTCP, DNS, DDNS, NTP, FTP, UPnP, HTTP, HTTPS, SMTP, 802.1x, SNMP
Compatible Integration	ONVIF(Profile S, Profile G), API
<b>Interface</b>	
Alarm I/O	1/ 1
Built-in Mic	Supported
Network	1 RJ45 10M/100M Base-TX Ethernet
<b>General</b>	
Power	12 V DC±25%, PoE (IEEE802.3 af)
	Power consumption: Max 6W
Dimensions (L x W x H)	157.3 x 63 x63 mm (6.2" x 2.5" x 2.5")
Weight	0.45 kg (0.99 lb)
Working Environment	-35°C ~ +60°C (-31°F ~ 140°F), Humidity :10%~95% RH(non-condensing)
Ingress Protection	IP67
Reset Button	Supported

## Dimensions



## Accessories

Installation mode	Accessories	Description
Wall mount	\	Mounting pedestal is included in the Product package

Installation mode	Accessories	Description
Ceiling mount	\	Mounting pedestal is included in the Product package



**“Your Reliable Integrated Video Surveillance Solutions Provider”**

**Shenzhen Starlink Technology Co.,Ltd**

1811, Block A, Zhantao Technology Building, Longhua District, Shenzhen, P.R.China 518131

Email: [info@qixingtechnology.com](mailto:info@qixingtechnology.com); [qixing@qixingtechnology.com](mailto:qixing@qixingtechnology.com)

<https://www.qixingtechnology.com>

©2009-2018 Shenzhen Starlink Technology Co.,Ltd. All rights reserved.

\*Product specifications and availability are subject to change without notice.