

Network Video Recorder

BDTSecure NVR302-S-P Series



Key Features

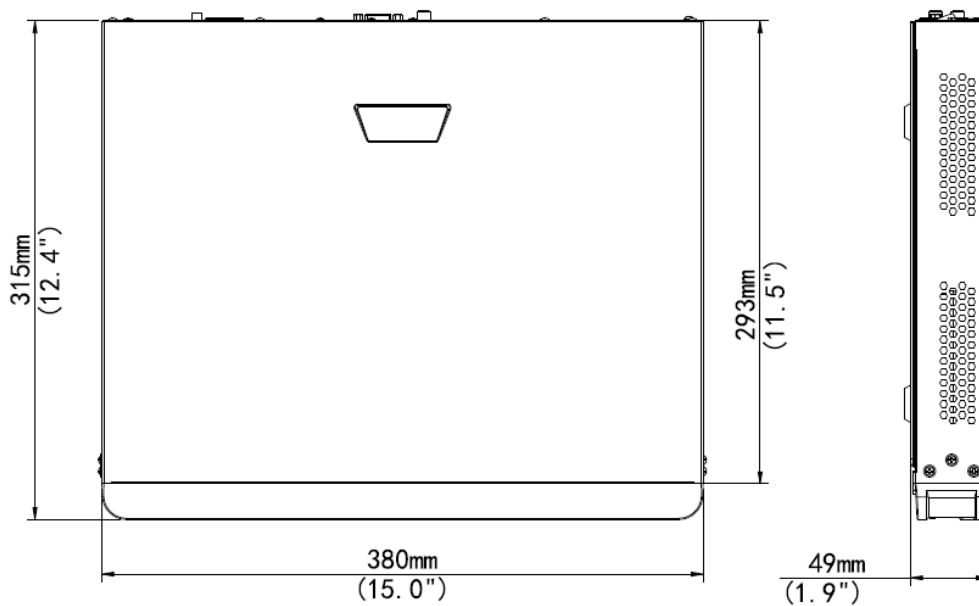
- Support Ultra265/H.265/H.264 video formats
- 8/16-channel input
- Plug & Play with 8/16 independent PoE network interfaces
- Third-party IP cameras supported with ONVIF conformance: Profile S, Profile G, Profile C, Profile Q, Profile A, Profile T
- Support HDMI and VGA simultaneous output
- Up to 8 Megapixels resolution recording
- 2 SATA HDDs, up to 10TB for each HDD
- ANR technology to enhance the storage reliability when the network is disconnected
- Support cloud upgrade

Specifications

Model	BDTSecureNVR30208SP8	BDTSecureNVR30216SP8	BDTSecureNVR30216SP16
Video/Audio Input			
IP Video Input	8-ch	16-ch	16-ch
Two-way Audio Input	1-ch, RCA		
Network			
Incoming Bandwidth	64Mbps	112Mbps	112Mbps
Outgoing Bandwidth	96Mbps	96Mbps	96Mbps
Remote Users	128		
Protocols	SNMP, P2P, UPnP, NTP, DHCP, PPPoE		
Video/Audio Output			
HDMI/VGA Output	VGA: 1024X768@60, 1280X720@60, 1280X1024@60, 1920X1080@50, 1920X1080@60 HDMI: 4k(3840x2160@30), 4k(3840x2160@60), 1024X768@60, 1280X720@60, 1280X1024@60, 1920X1080@50, 1920X1080@60		
Recording Resolution	8MP/6MP/5MP/4MP/3MP/1080p/960p/720p/D1/2CIF/CIF		
Audio Output	1-ch, RCA		
Synchronous Playback	8-ch	16-ch	16-ch
Corridor Mode Screen	3/4/5/7/9	3/4/5/7/9/10/12/16	3/4/5/7/9/10/12/16
Decoding			
Decoding format	Ultra265/H.265/H.264		
Live view/ Playback	8MP/6MP/5MP/4MP/3MP/1080p/960p/720p/D1/2CIF/CIF		
Capability	1 x 4K@30, 2 x 4MP@30, 3 x 3MP@25, 4 x 1080P@30, 8 x 720P@30, 16 x D1		
Hard Disk			
SATA	2 SATA interfaces		
Capacity	up to 10TB for each disk		
External Interface			
Network Interface	1 RJ-45 10M/100M/1000M self-adaptive Ethernet Interface		
USB Interface	Front panel: 1 x USB2.0, Rear panel: 1 x USB2.0		
Alarm In	4-ch		
Alarm Out	1-ch		
PoE			
Interface	8 independent 100Mbps PoE network interfaces		16 independent 100Mbps PoE

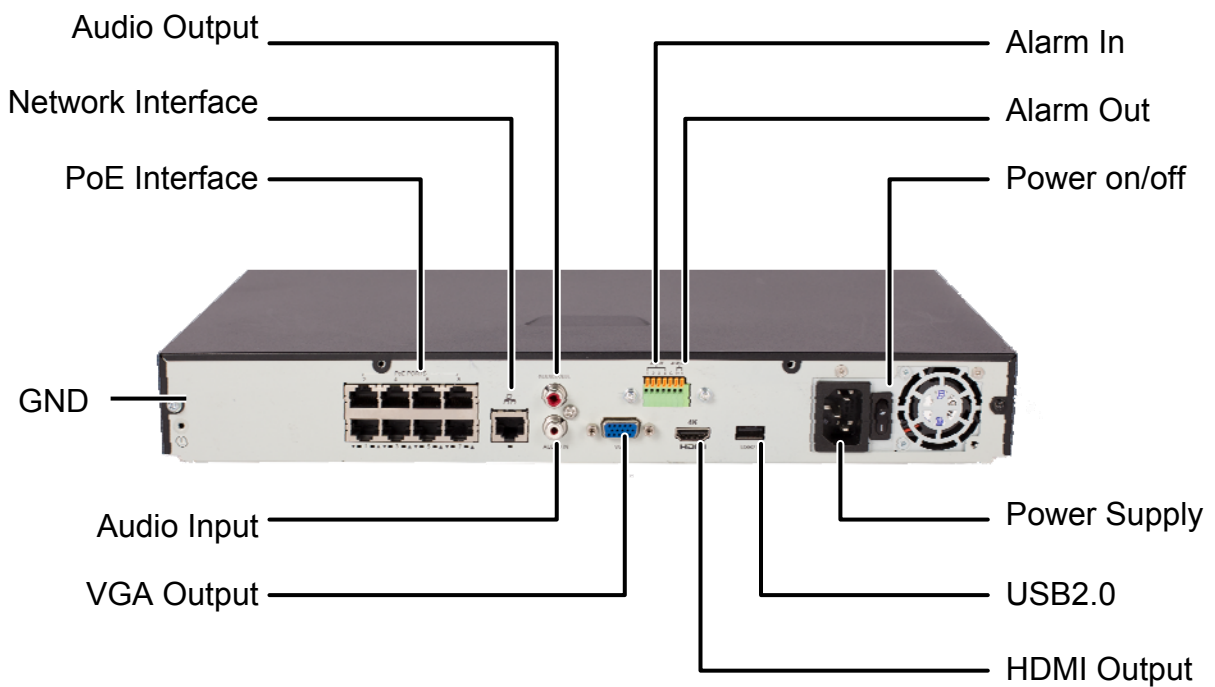
			network interfaces
Max Power	Max 30W for single port Max 130W in total (16.25W for each)	Max 30W for single port Max 130W in total (16.25W for each)	Max 30W for single port Max 240W in total (15W for each)
Supported Standard	IEEE 802.3af/at		
General			
Power Supply	220V AC Power Consumption: ≤9 W(without HDD)		
Working Environment	-10°C ~ + 55°C (+14°F ~ +131°F), Humidity ≤ 90% RH(non-condensing)		
Dimensions(W ×D×H)	380mm ×315mm × 49.1mm(15.0" × 12.4" × 1.9")		
Weight (without HDD)	≤2.4kg (5.29 lb)		

Dimensions



Rear Panel

Take **BDTSecureNVR30216SP8** for example





“Your Reliable Integrated Video Surveillance Solutions Provider”

Shenzhen Starlink Technology Co.,Ltd

1811, Block A, Zhantao Technology Building, Longhua District, Shenzhen, P.R.China 518131

Email: info@qixingtechnology.com; qixing@qixingtechnology.com

<https://www.qixingtechnology.com>

©2009-2018 Shenzhen Starlink Technology Co.,Ltd. All rights reserved.

*Product specifications and availability are subject to change without notice.