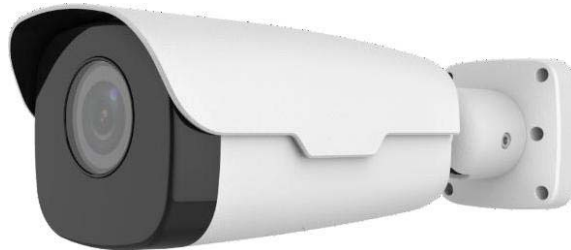


# 2MP LPR Starlight AF Network IR Bullet Camera

BDTSecure262EBR9DUPZIT



## Key Features

### Optics

- Starlight illumination
- Up to 120dBWDR(Wide Dynamic Range)
- Smart IR, up to 100m(328ft) IR distance
- Optical glass window with higher light transmittance
- IR anti-reflection window to increase the infrared transmittance
- Day/night functionality

### Compression

- Ultra 265, H.265, H.264, MJPEG
- Embedded smart algorithm
- Triple streams
- ROI(Region of Interest)
- 9:16 corridor mode
- Customized OSD
- Support lpr

### Network

- ONVIF Conformance

### Structure

- Support PoE power supply
- Wide temperature range: -40°C ~ 60°C (-40°F ~ 140°F)

Wide voltage range of  $\pm 25\%$

IP67

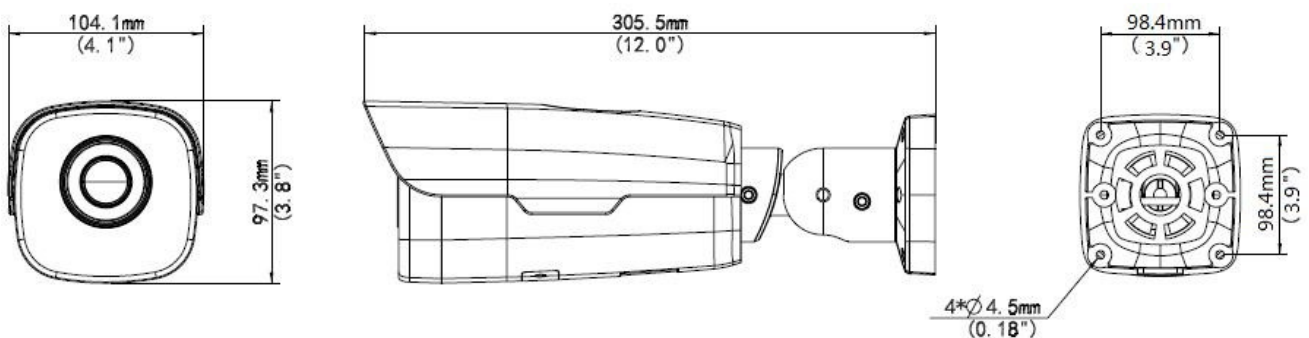
3-Axis

## Specifications

Camera	BDTSecure262EBR9DUPZIT				
Sensor	1/2.8", 2.0 megapixel, progressive scan, CMOS				
Lens	4.7 ~ 47mm@F1.6 (W) ~ 3.0 (T); AF automatic focusing and motorized zoom lens				
Iris	DC-Iris				
DORI Distance	Lens (mm)	Detect (m)	Observe (m)	Recognize (m)	Identify (m)
	4.7	72.9	29.2	14.6	7.3
	47	729.3	291.7	145.9	72.9
Angle of View (H)	53.8° ~ 6.6°				
Angle of View (V)	29.3° ~ 3.7°				
Angle of View (O)	66.2° ~ 7.8°				
Adjustment angle	Pan: 0° ~ 360°		Tilt: 0° ~ 90°		Rotate: 0° ~ 360°
Shutter	Auto/Manual, 1 ~ 1/100000s				
Minimum Illumination	Colour: 0.001Lux (F1.6, AGC ON) 0Lux with IR				
Day/Night	IR-cut filter with auto switch (ICR)				
Digital noise reduction	2D/3D DNR				
S/N	>52dB				
IR Range	up to 100m (328ft) IR range				
Defog	Digital Defog				
WDR	120dB				
Video					
Video Compression	Ultra 265, H.265, H.264, MJPEG				
H.264 code profile	Baseline profile, Main Profile, High Profile				
Frame Rate	Main Stream: 1080P (1920*1080), Max 30fps; SubStream: 1080P (1920*1080), Max 30fps; Third Stream: D1 (720*576), Max 30fps				
9:16 Corridor Mode	Supported				
HLC	Supported				
BLC	Supported				
OSD	Up to 8 OSDs				
Privacy Mask	Up to 8 areas				
ROI	Up to 8 areas				
Motion Detection	Up to 4 areas				
Smart					
Behavior Detection	Intrusion, cross line, motion detection				
Intrusion	Enter and loiter in a pre-defined virtual region				
cross line	Cross a pre-defined virtual line				
motion detection	Moving within a pre-defined virtual region				
Recognition	Face detection, Audio detection, lpr				

Intelligent Identification	Defocus, Scene Change, Object Left, Object Moving
Statistical Analysis	People counting
General Function	Watermark, IP Address Filtering, Tampering Alarm, Alarm input, Alarm output, Access Policy, ARPProtection, RTSP Authentication, User Authentication
<b>Audio</b>	
Audio Compression	G.711
Suppression	Supported
Sampling Rate	8KHZ
<b>Storage</b>	
Edge Storage	Micro SD, Up to 256GB
Network Storage	ANR
<b>Network</b>	
Protocols	IPv4, IGMP, ICMP, ARP, TCP, UDP, DHCP, PPPoE, RTP, RTSP, RTCP, DNS, DDNS, NTP, FTP, UPnP, HTTP, HTTPS, SMTP, 802.1x, SNMP, QoS
Compatible Integration	ONVIF (Profile S, Profile G), API
<b>Interface</b>	
Audio I/O	Audio cable
	1 Input: impedance 35kΩ; amplitude 2V [p-p]
	1 Output: impedance 600Ω; amplitude 2V [p-p]
Alarm I/O	2/1
Serial Port	1 RS485
Network	1 RJ45 10M/100M Base-TX Ethernet
Video Output	1 BNC, impedance 75Ω; amplitude 1V [p-p]
<b>General</b>	
Power	AC 24V±25%, DC 12V±25%, PoE (IEEE 802.3at)
	Power consumption: 14W
Dimensions (L × W × H)	305.5 × 104.1 × 97.3mm (12.0" × 4.1" × 3.8")
Weight	1.65kg (3.6lb)
Working Environment	-40°C ~ 60°C (-40°F ~ 140°F), Humidity: ≤95% RH (non-condensing)
Ingress Protection	IP67
Reset Button	Supported

## Dimensions





**“Your Reliable Integrated Video Surveillance Solutions Provider”**

**Shenzhen Starlink Technology Co.,Ltd**

1811, Block A, Zhantao Technology Building, Longhua District, Shenzhen, P.R.China 518131

Email: [info@qixingtechnology.com](mailto:info@qixingtechnology.com); [qixing@qixingtechnology.com](mailto:qixing@qixingtechnology.com)

<https://www.qixingtechnology.com>

©2009-2018 Shenzhen Starlink Technology Co.,Ltd. All rights reserved.

\*Product specifications and availability are subject to change without notice.