

# 8MP Mini Fixed Bullet Network Camera

BDTSecure2128SR3



## Key Features

### Optics

- Day/night functionality
- Smart IR , up to 30 m (98 ft) IR distance
- Optical glass window with higher light transmittance
- IR anti-reflection window to increase the infrared transmittance
- 2D/3D DNR (Digital Noise Reduction)
- Day/night functionality
- Up to 120 dB WDR (Wide Dynamic Range)

### Compression

- Ultra 265,H.265, H.264, MJPEG
- Embedded smart algorithm
- Triple streams
- 9:16 corridor format

### Network

- ONVIF Conformance

### Structure

- Wide temperature range: -30°C to 60°C (-22°F to 140°F)

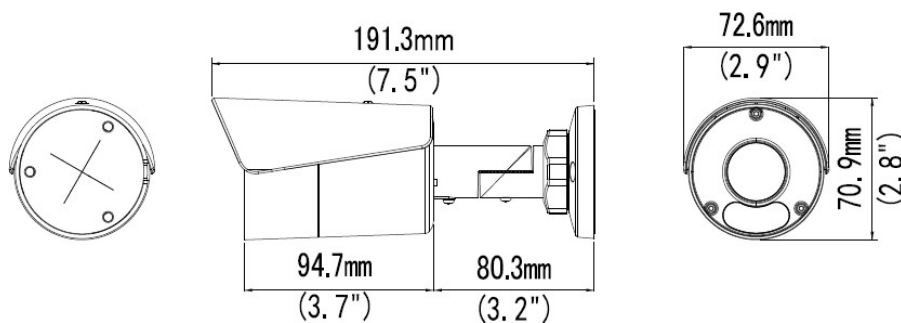
- Wide voltage range of  $\pm 25\%$
- IP67
- 3-Axis

## Specifications

	BDTSecure2128SR340			BDTSecure2128SR360		
<b>Camera</b>						
Sensor	1/2.5", 8.0 megapixel, progressive scan, CMOS					
Lens	4.0mm@ F2.0			6.0mm@ F2.0		
DORI Distance	Lens	Detect(m)	Observe(m)	Recognize(m)	Identify(m)	
	4.0mm	72	28.8	14.4	7.2	
	6.0mm	108	43.2	21.6	10.8	
Angle of View(H)	91.6°			54.2°		
Angle of view(V)	47.2°			32.5°		
Angle of view(O)	112.7°			66.7°		
Adjustment Range	Pan: 0°~360°		Tilt: 0° ~ 90°		Rotation: 0° ~ 360°	
Shutter	Auto/Manual, 1~1/100000 s					
Minimum Illumination	Color: 0.05Lux (F2.0, AGC ON) 0Lux with IR on					
Day/Night	IR-cut filter with auto switch (ICR)					
Digital noise reduction	2D/3D DNR					
S/N	>52dB					
IR Range	Up to 30m (98 ft) IR range					
Defog	Digital Defog					
WDR	120dB					
<b>Video</b>						
Video Compression	Ultra 265,H.265, H.264, MJPEG					
H.264 code profile	Baseline profile, Main Profile, High Profile					
Frame Rate	Main Stream:8MP (3840*2160): Max. 20 fps; Sub Stream:1080P (1920*1080): Max. 30 fps; Third Stream:D1(720*576) : Max. 30 fps					
9:16 Corridor Mode	Supported					
HLC	Supported					
BLC	Supported					
OSD	Up to 8 OSDs					
Privacy Mask	Up to 8 areas					
ROI	Up to 8 areas					
Motion Detection	Up to 4 areas					
<b>Smart</b>						
Behavior Detection	Intrusion, cross line, motion detection					
Intrusion	Enter and loiter in a pre-defined virtual region					
cross line	Cross a pre-defined virtual line					

motion detection	Moving within a pre-defined virtual region
Recognition	Face detection
Intelligent Identification	Defocus, Scene Change, Object Left, Object Moving
Statistical Analysis	People counting
General Function	Watermark, IP Address Filtering, Tampering Alarm, Access Policy, ARP Protection, RTSP Authentication, User Authentication
<b>Network</b>	
Protocols	IPv4, IGMP, ICMP, ARP, TCP, UDP, DHCP, RTP, RTSP, RTCP, DNS, DDNS, NTP, FTP, UPnP, HTTP, HTTPS, SMTP, SSL
Compatible Integration	ONVIF(Profile S, Profile T), API
<b>Interface</b>	
Network	1 RJ45 10M/100M Base-TX Ethernet
<b>General</b>	
Power	12 V DC±25%, PoE (IEEE802.3 af)
	Power consumption: Max 8 W
Dimensions (L x W x H)	191.3×72.6×70.9mm (7.5"×2.9"×2.8")
Weight	0.5 kg (1.1 lb)
Working Environment	-30°C ~ 60°C (-22° F ~ 140° F), Humidity : 10%~90% RH(non-condensing)
Ingress Protection	IP67

## Dimensions





**“Your Reliable Integrated Video Surveillance Solutions Provider”**

**Shenzhen Starlink Technology Co.,Ltd**

1811, Block A, Zhantao Technology Building, Longhua District, Shenzhen, P.R.China 518131

Email: [info@qixingtechnology.com](mailto:info@qixingtechnology.com); [qixing@qixingtechnology.com](mailto:qixing@qixingtechnology.com)

<https://www.qixingtechnology.com>

©2009-2018 Shenzhen Starlink Technology Co.,Ltd. All rights reserved.

\*Product specifications and availability are subject to change without notice.