

## 4K Starlight Multi-sensor Panoramic Network Camera

BDTSecure8542ER5DUG



### Key Features

#### Optics

*Fifth-generation infrared technology, more than 50m (164ft) IR distance*

*Starlight illumination*

*IR anti-reflection window to increase the infrared transmittance*

*Smart IR*

*2D/3D DNR (Digital Noise Reduction)*

*120dB true WDR*

*Support not less than 180 degree panoramic view control*

#### Compression

*H.265, H.264, MJPEG*

*Embedded smart algorithm*

*Triple streams*

*Customized OSD*

*8MP@30fps supported*

## Network

**ONVIF Conformance**

## Structure

**Intelligent temperature control technology**

**Wide temperature range: -40°C ~ 70°C (-40°F ~ 158°F)**

**Wide voltage range of ±25%**

**More effective heat dissipation system**

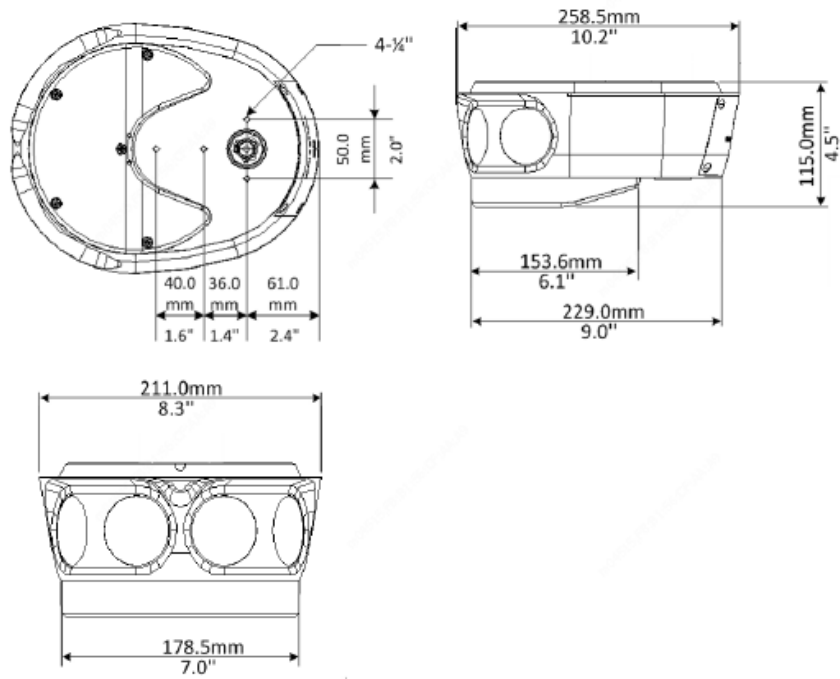
**IP67**

## Specifications

BDTSecure8542ER5DUG					
<b>Camera</b>					
<b>Sensor</b>	1/1.8", 2.0 megapixel, progressive scan, CMOS*4				
<b>Lens</b>	4.2mm				
<b>DORI Distance</b>	<b>Lens (mm)</b>	<b>Detect (m)</b>	<b>Observe (m)</b>	<b>Recognize (m)</b>	<b>Identify (m)</b>
	4.2	50.4	20.2	10.1	5.0
<b>Angle of View (H)</b>	180°				
<b>Angle of View (V)</b>	80°				
<b>Angle of View (O)</b>	221.4°				
<b>Adjustment angle</b>	Pan: -90° ~ 90°			Tilt: -60° ~ 45°	
<b>Shutter</b>	Auto/Manual, shutter time: 1 ~ 1/100000s				
<b>Minimum Illumination</b>	Colour: 0.001Lux (F1.8,AGC ON) 0.0001Lux with IR				
<b>Iris</b>	F1.8				
<b>Day/Night</b>	IR-cut filter with auto switch (ICR)				
<b>S/N</b>	>55dB				
<b>IR Range</b>	UP to 50m (164ft)				
<b>Defog</b>	Digital Defog				
<b>WDR</b>	120dB				
<b>Video</b>					
<b>Video Compression</b>	H.265, H.264, MJPEG				
<b>H.264 code profile</b>	Baseline profile, Main Profile, High Profile				
<b>Frame Rate</b>	Main Stream: 8MP (4096×1800), Max 30fps; Sub Stream: 1920*832, Max 30fps; Third Stream: 1280*560, Max 30fps				
<b>HLC</b>	Supported				
<b>BLC</b>	Supported				

<b>OSD</b>	<i>Up to 8 OSDs</i>
<b>Privacy Mask</b>	<i>Up to 24 areas</i>
<b>ROI</b>	<i>Up to 8 areas</i>
<b>Motion Detection</b>	<i>Up to 4 areas</i>
<b>Smart</b>	
<b>Behavior Detection</b>	<i>Intrusion, cross line, motion detection, Loitering Detection, Fast moving, Personnel gathering, Parking detection, Legacy of goods, Moving objects</i>
<b>Intrusion</b>	<i>Enter and loiter in a pre-defined virtual region</i>
<b>cross line</b>	<i>Cross a pre-defined virtual line</i>
<b>motion detection</b>	<i>Moving within a pre-defined virtual region</i>
<b>Recognition</b>	<i>Face detection</i>
<b>Statistical Analysis</b>	<i>People counting</i>
<b>General Function</b>	<i>Watermark, IP Address Filtering, Tampering Alarm, Alarm input, Alarm output, Access Policy, ARP Protection, RTSP Authentication, User Authentication</i>
<b>Audio</b>	
<b>Audio Compression</b>	<i>G7.11</i>
<b>Two-way Audio</b>	<i>Supported</i>
<b>Suppression</b>	<i>Supported</i>
<b>Sampling Rate</b>	<i>8KHz</i>
<b>Storage</b>	
<b>Edge Storage</b>	<i>Micro SD, up to 256GB</i>
<b>Network Storage</b>	<i>ANR</i>
<b>Network</b>	
<b>Protocols</b>	<i>IPv4, IGMP, ICMP, ARP, TCP, UDP, DHCP, PPPoE, RTP, RTSP, RTCP, DNS, DDNS, NTP, FTP, UPnP, HTTP, HTTPS, SMTP, 802.1x, SNMP, QoS</i>
<b>Compatible Integration</b>	<i>ONVIF (Profile S, Profile G), API</i>
<b>Interface</b>	
<b>Audio I/O</b>	<i>1 Input: impedance 35kΩ; amplitude 2V [p-p]</i>
	<i>1 Output: impedance 600Ω; amplitude 2V [p-p]</i>
<b>Alarm I/O</b>	<i>2/1</i>
<b>Network</b>	<i>1 100M/1000M Base-FX SFP + 2 10M/100M/1000M Base-TX Ethernet</i>
<b>General</b>	
<b>Power</b>	<i>AC 24V/DC 24V±25%</i>
	<i>Power consumption: 40W</i>
<b>Dimensions</b>	<i>259 x 211 x 132mm</i>
<b>Weight</b>	<i>2.5kg (5.5lb)</i>
<b>Working Environment</b>	<i>-40°C ~ 70°C (-40°F ~ 158°F), Humidity: ≤95% RH (non-condensing)</i>
<b>Ingress Protection</b>	<i>IP67</i>
<b>Reset Button</b>	<i>Supported</i>

## Dimensions



**“Your Reliable Integrated Video Surveillance Solutions Provider”**

**Shenzhen Starlink Technology Co.,Ltd**

1811, Block A, Zhantao Technology Building, Longhua District, Shenzhen, P.R.China 518131

Email: [info@qixingtechnology.com](mailto:info@qixingtechnology.com); [qixing@qixingtechnology.com](mailto:qixing@qixingtechnology.com)

<https://www.qixingtechnology.com>

©2009-2018 Shenzhen Starlink Technology Co.,Ltd. All rights reserved.

\*Product specifications and availability are subject to change without notice.