

2MP IR Network Mini PTZ Dome Camera

BDTSecure6412LR3X5P



Key Features

Optics

Day/night functionality

Smart IR , up to 30 m (98 ft) IR distance

Optical glass window with higher light transmittance

IR anti-reflection window to increase the infrared transmittance

2D/3D DNR (Digital Noise Reduction)

Compression

Ultra 265,H.265, H.264, MJPEG

Triple streams

ROI (Region of Interest)

Network

ONVIF Conformance

Structure

Support PoE power supply

Built-in PoE splitter that outputs DC 12

Wide temperature range: -10°C to 50°C (14°F to 122°F)

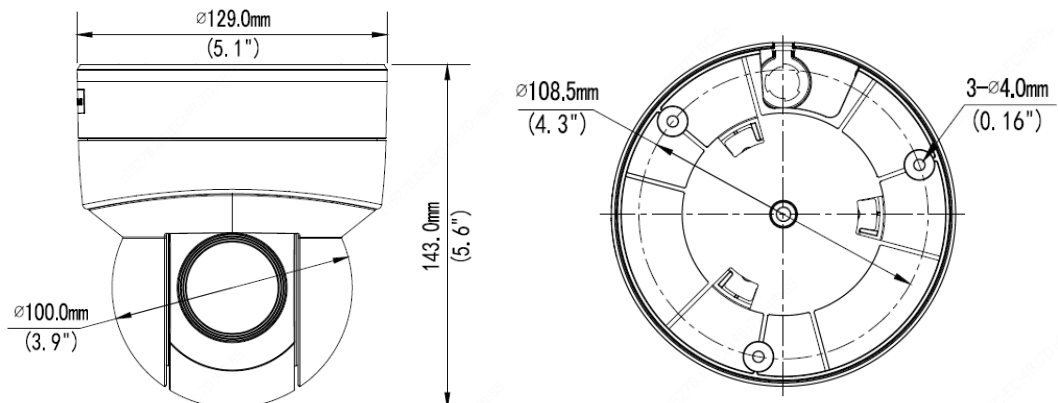
Wide voltage range of $\pm 25\%$

Specifications

BDTSecure6412LR3X5P					
Camera					
Sensor	1/2.9" progressive scan, 2.0 megapixel, CMOS				
Lens	2.7~13.5mm, AF automatic focusing and motorized zoom lens				
DORI Distance	Lens	Detect(m)	Observe(m)	Recognize(m)	Identify(m)
	2.7mm	40.5	16.2	8.1	4.1
	13.5mm	202.5	81.0	40.5	20.3
Angle of View (H)	112.7°~28.1°				
Angle of View (V)	60.1°~15.4°				
Angle of View (O)	146.5°~33.2°				
Adjustment angle	Pan: 0°~350°		Tilt: 0°~90°		Rotate: 0°~355°
Shutter	Auto/Manual, shutter time: 1 s ~ 1/100000 s				
Minimum Illumination	Colour: 0.03 lux (F1.2,AGC ON) 0 lux with IR				
Iris	F1.2				
Day/Night	IR-cut filter with auto switch (ICR)				
Digital noise reduction	2D/3D DNR				
S/N	>55 dB				
IR Range	UP to 30m (98ft)				
WDR	DWDR				
Video					
Video Compression	Ultra 265,H.265, H.264, MJPEG				
H.264 code profile	Baseline profile, Main Profile				
Frame Rate	Main Stream:1080P (1920×1080):Max. 30 fps; Sub Stream:720P (1920×1080):Max. 25 fps; Third Stream: CIF (352×288): Max. 25 fps				
HLC	Supported				
BLC	Supported				
OSD	Up to 4 OSDs				
Privacy Mask	Up to 8 areas				
ROI	Up to 2 areas				

Motion Detection	Up to 4 areas
Storage	
Edge Storage	Micro SD, up to 256 GB
Network Storage	ANR
Network	
Protocols	IPv4, IGMP, ICMP, ARP, TCP, UDP, DHCP, RTP, RTSP, RTCP, DNS, DDNS, NTP, FTP, UPnP, HTTP, HTTPS, SMTP, SSL
Compatible Integration	ONVIF(Profile S, Profile G), API
Pan & Tilt	
Pan Range	350°
Pan Speed	0.1°/s ~ 60°/s
	Preset speed: 60°/s
Tilt Range	0° ~ 90° (auto reverse)
Tilt Speed	0.1° ~ 50°/s
	Preset speed: 50°/s
Number of Presets	1024
Patrol	Preset patrol, route patrol, recorded patrol
Home Position	Supported
Interface	
Network	1 RJ45 10M/100M Base-TX Ethernet
Built-in Mic	Supported
General	
Power	DC 12V±25%, PoE (IEEE802.3 af)
	Power consumption: Max 12W
Dimensions (Ø x H)	Φ 129mm×143mm(Φ5.07" x5.63")
Weight	3kg(6.6lb)
Working Environment	-10°C ~ +50°C (14°F ~ 122°F), Humidity:10%~90% RH(non-condensing)
Reset Button	Supported

Dimensions





“Your Reliable Integrated Video Surveillance Solutions Provider”

Shenzhen Starlink Technology Co.,Ltd

1811, Block A, Zhantao Technology Building, Longhua District, Shenzhen, P.R.China 518131

Email: info@qixingtechnology.com; qixing@qixingtechnology.com

<https://www.qixingtechnology.com>

©2009-2018 Shenzhen Starlink Technology Co.,Ltd. All rights reserved.

*Product specifications and availability are subject to change without notice.