

# 5MP Fisheye Fixed Dome Network Camera

BDTSecure815SRSPF



## Key Features

### Optics

- Ultra wide angle lens, 360° panoramic image
- Smart IR, Up to 10 m (33ft) IR distance
- 2D/3D DNR (Digital Noise Reduction)

### Compression

- Ultra265, H.264, MJPEG
- Built-in omni directional microphone (BDTSecure815SRPF14)
- Triple stream (3 panoramic view)

### Network

- ONVIF Conformance

### Structure

- Support PoE power supply
- Wide temperature range: -40°C to 60°C (-40°F to 140°F)
- Wide voltage range of  $\pm 25\%$
- IK10
- IP66

## Specifications

	BDTSecure815SRPF14		BDTSecure815SRPF14		
<b>Camera</b>					
Image sensor	1/2.8", progressive scan, 5.0 megapixel, CMOS				
Lens	1.4mm@F2.0				
DORI Distance	Lens	Detect (m)	Observe (m)	Recognize (m)	Identify (m)
	1.4mm	31.5	12.6	6.3	3.2
Angle of View	360°				
Shutter	Auto/Manual, shutter time: 1~1/100000 s				
Minimum Illumination	Colour: 0.01 Lux (F2.0, AGC ON) 0 Lux with IR				
Day/Night	IR-cut filter for day & night function				
Digital noise reduction	2D/3D DNR				
S/N	>55dB				
IR Range	UP to 10m (33ft)				
Defog	Digital Defog				
WDR	120dB				
<b>Video</b>					
Compression	Ultra265, H.264, MJPEG				
H.264 code profile	Baseline profile, Main Profile, High Profile				
Frame Rate	Main Stream: (2592×1944): Max.30fps; Sub Stream: (1920×1080): Max.30fps; Third Stream: D1(720 x 576): Max.30 fps				
BLC	Supported				
OSD	Up to 8 OSDs				
ROI	Up to 8 areas				
Privacy Mask	Up to 8 areas				
Motion Detection	Up to 4 areas				
General Function	Watermark, IP Address Filtering, Tampering Alarm, Alarm input, Alarm output, Access Policy, ARPProtection, RTSP Authentication, User Authentication				
<b>Audio</b>					
Audio Compression	G.711		N/A		
Two-way audio	Supported		N/A		
Suppression	Supported		N/A		
Sampling Rate	8 KHZ		N/A		
<b>Storage</b>					
Edge Storage	Micro SD, up to 256GB				
Network Storage	ANR				
<b>Network</b>					
Protocols	IPv4, IGMP, ICMP, ARP, TCP, UDP, DHCP, PPPoE, RTP, RTSP, RTCP, DNS, DDNS, NTP, FTP, UPnP, HTTP, HTTPS, SMTP, 802.1x, SNMP, QoS				
Compatible Integration	ONVIF (Profile S, Profile G, Profile T), API				
<b>Live View Display</b>					
Mount Type	Support table, wall, and ceiling				

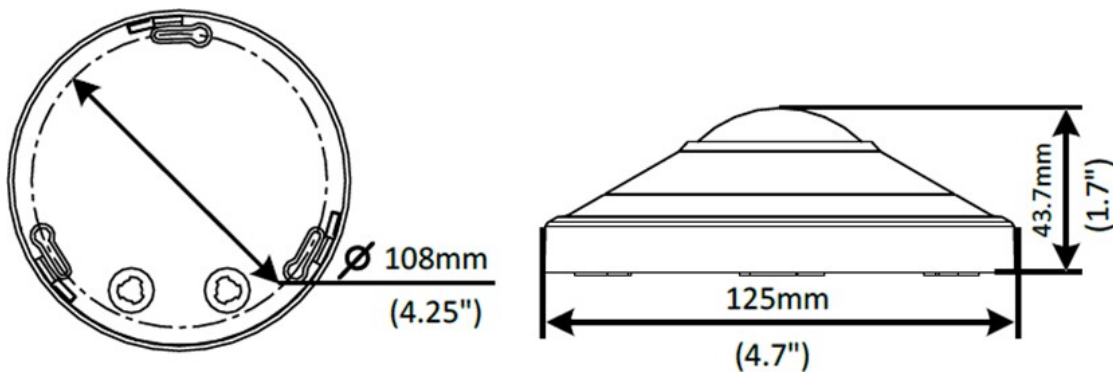
## Interface

Audio I/O	Input: impedance 35 k $\Omega$ ; amplitude 2 V [p-p]	N/A
	Output: impedance 600 $\Omega$ ; amplitude 2 V [p-p]	N/A
Alarm I/O	1/1	N/A
Built-in Mic	Supported	N/A
Video Output	1 BNC, impedance 75 $\Omega$ ; amplitude 1 V [p-p]	N/A
Network	1 RJ45 10M/100M Base-TX Auto-adaptive Ethernet	

## General

Power	DC12V $\pm$ 25%,PoE (IEEE 802.3af)	
	Power consumption: Max. 8.9 W	
Dimensions ( $\Phi \times H$ )	$\Phi$ 125 $\times$ 43.7 mm ( $\Phi$ 4.9" $\times$ 1.7")	
Weight	0.39kg (0.86lb)	
Working Environment	-40°C~60°C (-40°F~140°F), Humidity: $\leq$ 95% RH	
Ingress Protection	IP66	
Vandal Resistant	IK10	
Reset Button	Supported	

## Dimensions



**“Your Reliable Integrated Video Surveillance Solutions Provider”**

**Shenzhen Starlink Technology Co.,Ltd**

1811, Block A, Zhantao Technology Building, Longhua District, Shenzhen, P.R.China 518131

Email: [info@qixingtechnology.com](mailto:info@qixingtechnology.com); [qixing@qixingtechnology.com](mailto:qixing@qixingtechnology.com)

<https://www.qixingtechnology.com>

©2009-2018 Shenzhen Starlink Technology Co.,Ltd. All rights reserved.

\*Product specifications and availability are subject to change without notice.