

HS-217SHB-BL Outdoor-housing



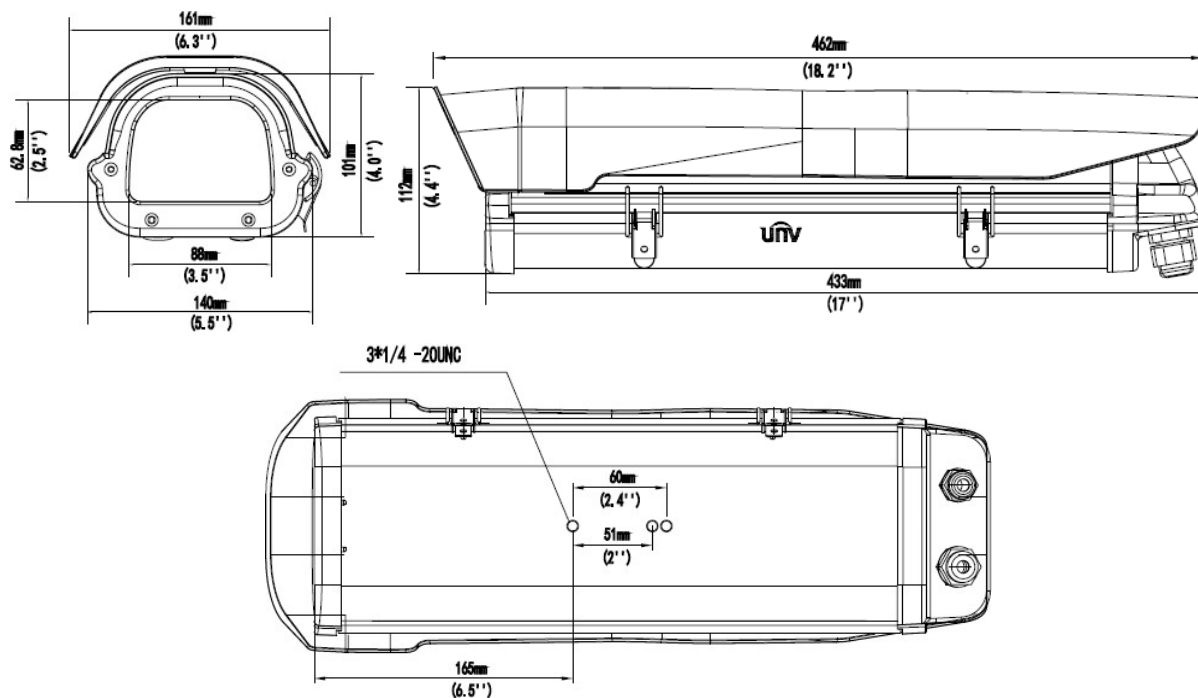
Key Features

- Anti-corrosive and ultraviolet-proof material to enhance outdoor durability
- Combined with adjustable sun shade from direct solar radiation
- Build-in temperature controlling
- Built-in temperature control module, it can automatically control heater and fan's working condition according to ambient temperature
- Heater on with simultaneous fan against foggy glass cover
- Easy and flexible installation with side open structure
- IP65-rated

Specifications

Housing	HS-217SHB-BL
Application	Outdoor (including sun shade, Heater,Fan)
Ingress Protection	IP65
Power supply	AC24V
Power	Heater: 40W, Fan: 4.3W
Operating Condition	-35°C~+50°C(-31°F ~ 122°F) Humidity ≤ 100% RH(non-condensing)
Working conditions of temperature control module	The heating on: $\geq 5^{\circ} \pm 5^{\circ}\text{C}$, The heating off: $\geq 12^{\circ} \pm 5^{\circ}\text{C}$ The fan opens when the heat is turned on Open the fan: $\leq 40^{\circ} \pm 5^{\circ}\text{C}$, Close the fan: $\leq 30^{\circ} \pm 5^{\circ}\text{C}$
Dimensions (L × W × H)	Outside: 433mm×161mm×112mm(17.04" x 6.3"x 4.4") Inside: 309.4mm×106.4mm×78.5mm(12.2"x 4.2"x 3.1")
Weight	1.6KG(3.53lb)
Material	Shell: aluminum alloy Sun shade:plastic Front and rear lids: plastic

Dimensions



Accessories

Housing	Amount	Remarks
Pendant mount	1	17 "outdoor basic protection shield ,Sun shade, Heating,fan

Installation mode	Accessories	Description
Pendant mount	AE-TR-CM06	/
Wall mount	Indoor: AE-TR-WM06-A Outdoor: AE-TR-WM06-B	/
Rail mount	AE-TR-UV06-A + AE-TR-UP06	/
Standing pole mount	AE-TR-WM06-B + AE-TR-UP06	/
Pole mount	AE-TR-UV06-A	/



Best Service of Testing

Certificate of Compliance

Certificate NO : BST13080629Y-1SC-2

Applicant : NINGBO HANMUL TRADING CO.,LTD
89 Yanshanhe Noth Road, Beilun District, Ningbo City

Manufacturer : NING BO KEVIS CO.,LTD
#10-5 Laoshanlu, Dagang IND Zone, Beilun, Ningbo, Zhejiang, China

Product Name : CCTV HOUSING

Main Test Model : FH-5140

Additional Model : FH-5140S, FH-5140SH, FH-5140SB, FH-5140SHB,
FH-5140SHBD, FH-5140HB

Test Standard : EN60529: 1991+A1:2000

As shown in the Test Report No. : BST13080629Y-1SR-2

The EUT described above has been tested by us with the listed standards.
The certificate applies to the tested sample above mentioned only and shall not imply an assessment of the whole production.



IP65



Christina
Manager
Sep. 04, 2013

Shenzhen BST Technology Co., Ltd.
Add: Building No.23-24, Zhiheng Industrial Park, Guankouer Road, Nantou, Nanshan District, Shenzhen, Guangdong, China
Certificate Search: <http://www.bst-lab.com>, Tel: 400-882-9628, 8009990305, E-mail: christina@bst-lab.com

“Your Reliable Integrated Video Surveillance Solutions Provider”

Shenzhen Starlink Technology Co.,Ltd

1811, Block A, Zhantao Technology Building, Longhua District, Shenzhen, P.R.China 518131

Email: info@qixingtechnology.com; qixing@qixingtechnology.com

<https://www.qixingtechnology.com>

©2009-2018 Shenzhen Starlink Technology Co.,Ltd. All rights reserved.

*Product specifications and availability are subject to change without notice.