

HS-217S-IN Outdoor-housing



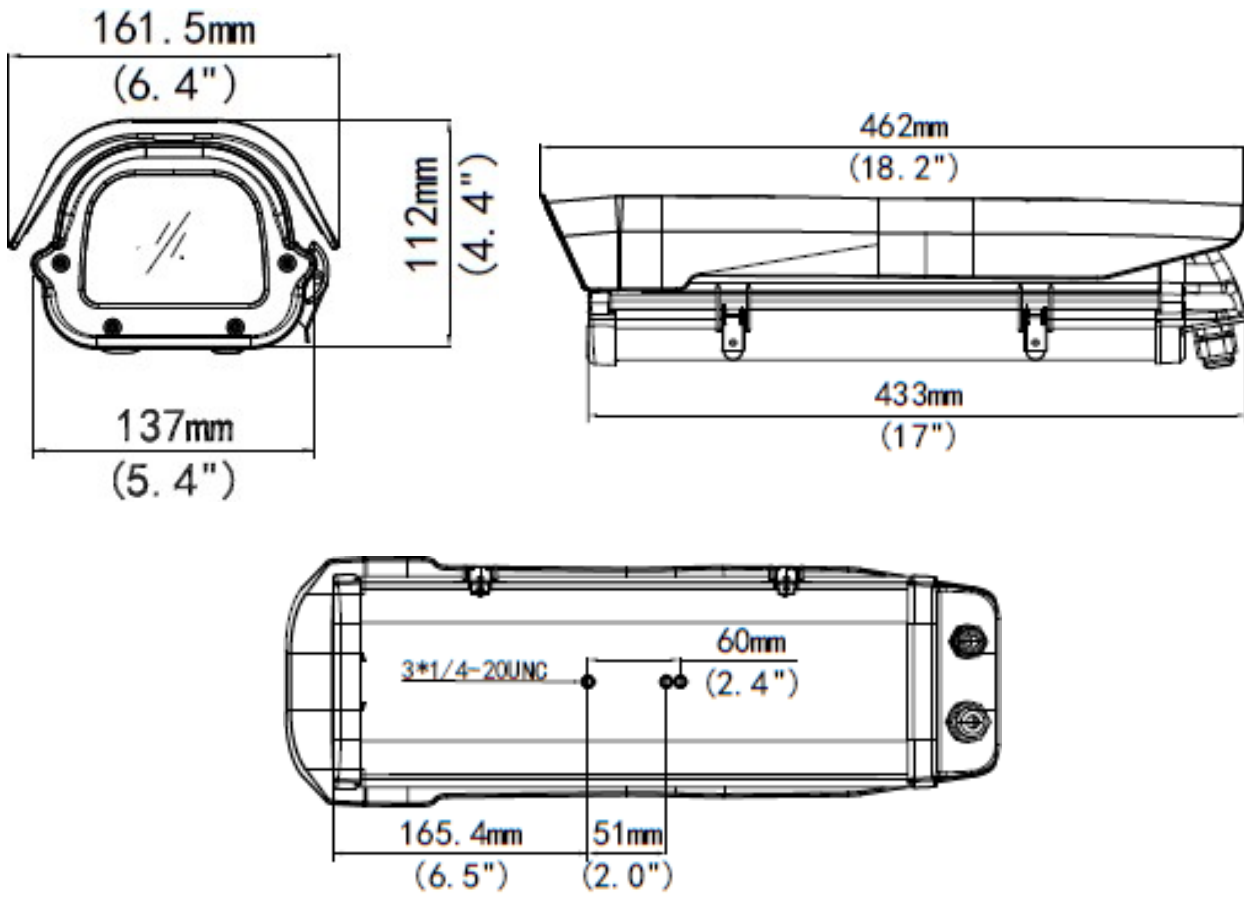
Key Features

- Anti-corrosive and ultraviolet-proof material to enhance outdoor durability
- Combined with adjustable sun shade from direct solar radiation
- Easy and flexible installation with side open structure
- IP66-rated

Specifications

Housing	HS-217S-IN
Application	Outdoor (including sun shade)
Ingress Protection	IP66
Operating Condition	$\leq -20^{\circ}\text{C} (\leq -4^{\circ}\text{F})$ Humidity $\leq 90\%$ RH(non-condensing)
Dimensions (L x W x H)	Outside: 462mm×161mm×112mm (17.04" x 6.3"x 4.4") Inside: 365×105×78.5mm (12.2"×4.2"×3.1")
Weight	1.42KG(3.13lb)
Material	Shell: aluminum alloy sun shade: plastic Front and rear lids: plastic

Dimensions



Accessories

Housing	Amount	Remarks
Pendant mount	1	17 "outdoor basic protection shield ,Sun shade, Heating,fan

Installation mode	Accessories	Description
Pendant mount	AE-TR-CM06	/
Wall mount	Indoor: AE-TR-WM06-A Outdoor: AE-TR-WM06-B	/
Rail mount	AE-TR-UV06-A +AE-TR-UP06	/
Standing pole mount	AE-TR-WM06-B +AE-TR-UP06	/
Pole mount	AE-TR-UV06-A	/

“Your Reliable Integrated Video Surveillance Solutions Provider”

Shenzhen Starlink Technology Co.,Ltd

1811, Block A, Zhantao Technology Building, Longhua District, Shenzhen, P.R.China 518131

Email: info@qixingtechnology.com; qixing@qixingtechnology.com

<https://www.qixingtechnology.com>

©2009-2018 Shenzhen Starlink Technology Co.,Ltd. All rights reserved.

*Product specifications and availability are subject to change without notice.