

HS-108-IN Indoor-housing



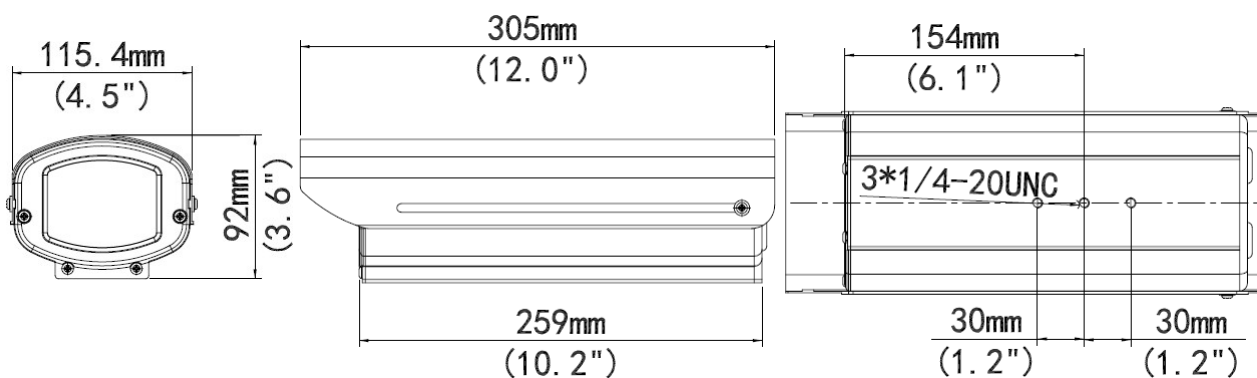
Key Features

- Anti-corrosive aluminum alloy with solidity and durability
- Easy and flexible installation

Specifications

Housing	HS-108-IN
Application	Indoor
Operating Condition	-20°C ~50°C (-4°F ~ 122°F) Humidity ≤ 90% RH(non-condensing)
Dimensions (L × W × H)	Outside: 305×115.4×92mm (12.0"×4.5"×3.6") Inside: 245×95×75mm (9.6"×3.7"×3.0")
Weight	0.8 kg (1.8lb)
Material	Shell: aluminum alloy Front and rear lids: plastic ABS

Dimensions



Accessories

Installation mode	Accessories	Description
Pendant mount	TR-CM06-IN	/
Wall mount	Indoor:TR-WM06-A-IN	/

“Your Reliable Integrated Video Surveillance Solutions Provider”

Shenzhen Starlink Technology Co.,Ltd

1811, Block A, Zhantao Technology Building, Longhua District, Shenzhen, P.R.China 518131

Email: info@qixingtechnology.com; qixing@qixingtechnology.com

<https://www.qixingtechnology.com>

©2009-2018 Shenzhen Starlink Technology Co.,Ltd. All rights reserved.

*Product specifications and availability are subject to change without notice.