

# HS-217S-B-NB Outdoor-housing



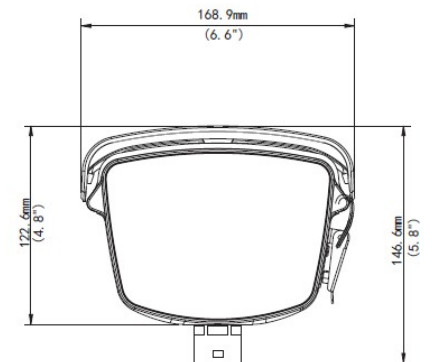
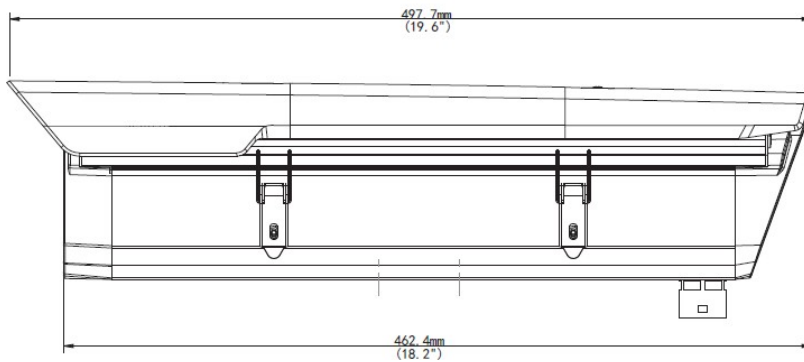
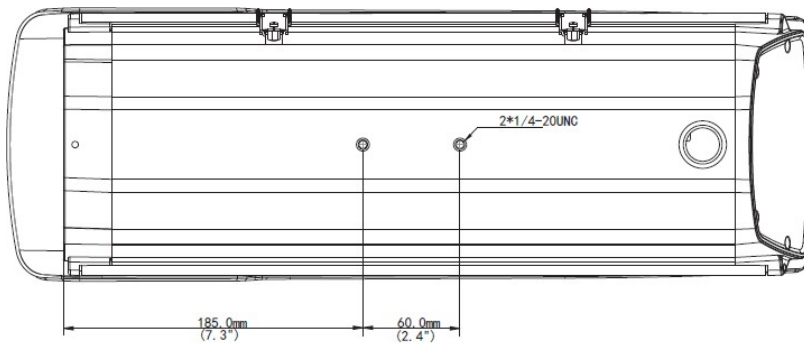
## Features

- Anti-corrosive and ultraviolet-proof material to enhance outdoor durability
- Combined with adjustable sun shade from direct solar radiation
- Easy and flexible installation with side open structure
- IP66-rated

## Specifications

HS-217S-B-NB (including sun shade)	
Application	Indoor\Outdoor
Operating Condition	-20°C~60°C (-4°F ~ 140°F) Humidity ≤95%RH( non-condensing)
Dimensions (L × W × H)	497.7mm×122.6mm×168.9mm
Weight	2.4kg(5.3lb)
Material	Shell:aluminum alloy Sun shade:plastic

## Dimensions



**“Your Reliable Integrated Video Surveillance Solutions Provider”**

### **Shenzhen Starlink Technology Co.,Ltd**

1811, Block A, Zhantao Technology Building, Longhua District, Shenzhen, P.R.China 518131

Email: [info@qixingtechnology.com](mailto:info@qixingtechnology.com); [qixing@qixingtechnology.com](mailto:qixing@qixingtechnology.com)

<https://www.qixingtechnology.com>

©2009-2018 Shenzhen Starlink Technology Co.,Ltd. All rights reserved.

\*Product specifications and availability are subject to change without notice.