

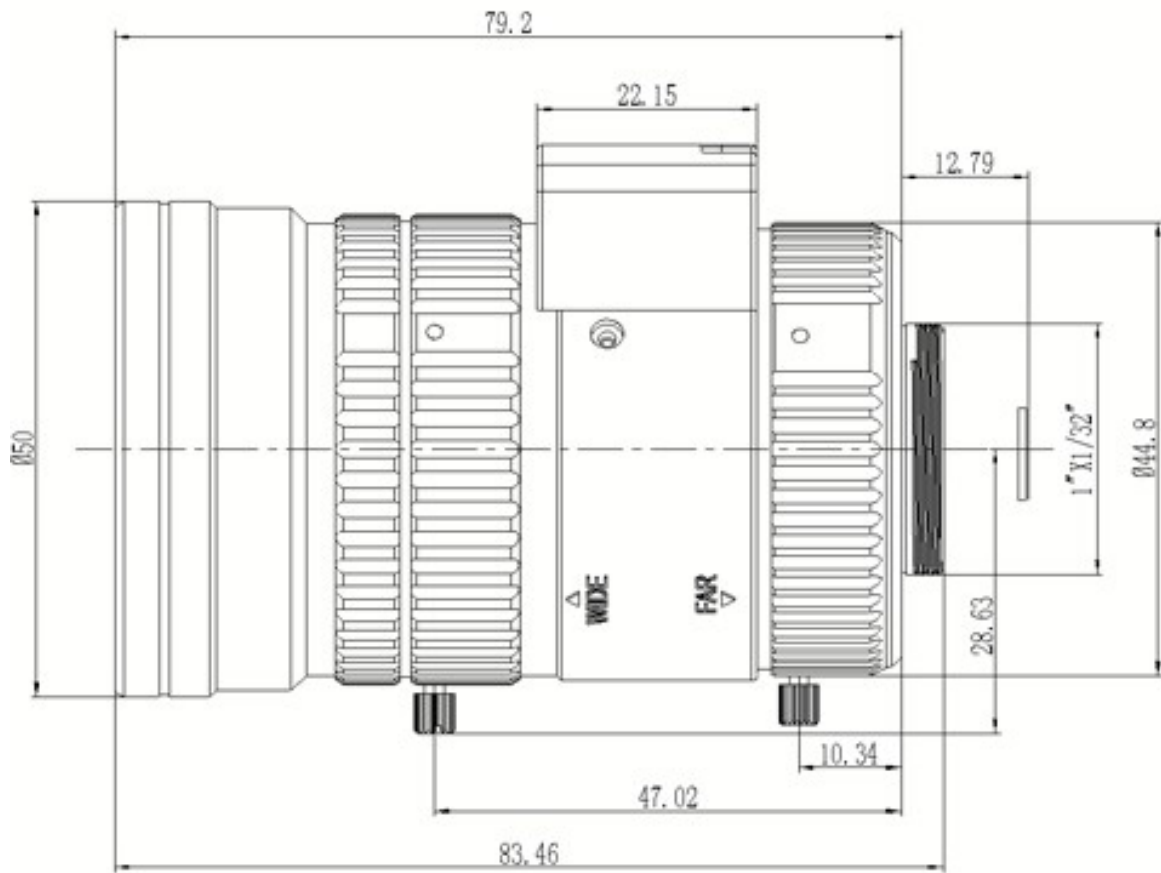
# LENS-DM0825-8M-NB Camera Lens



## Specifications

Lens	LENS-DM0825-8M-NB
Focal Length	8~25mm
Iris	F1.4, DC auto-Iris
Lens Mount	CS
Format	1/1.7"
Horizontal Angle of View	51.9° ~17.7° (H)
Dimensions(mm)	Φ50mmx83.5mm (Φ1.97" x 3.29")
Weight	0.27kg(0.60lb)

## Dimensions



**"Your Reliable Integrated Video Surveillance Solutions Provider"**

**Shenzhen Starlink Technology Co.,Ltd**

1811, Block A, Zhantao Technology Building, Longhua District, Shenzhen, P.R.China 518131

Email: [info@qixingtechnology.com](mailto:info@qixingtechnology.com); [qixing@qixingtechnology.com](mailto:qixing@qixingtechnology.com)

<https://www.qixingtechnology.com>

©2009-2018 Shenzhen Starlink Technology Co.,Ltd. All rights reserved.

\*Product specifications and availability are subject to change without notice.