

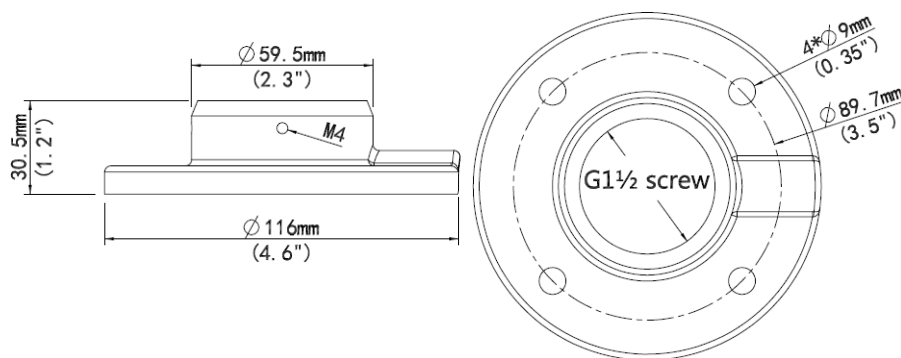
TR-UF45-A-IN PTZ Dome Indoor Pendant Mount



Specifications

Bracket	TR-UF45-A-IN
Application	Indoor, PTZ dome pendant installation
Dimensions	Φ116mmx30.5mm(Φ4.6" x1.2")
Weight	0.3kg(0.66lb)
Material	Aluminum alloy

Dimensions



“Your Reliable Integrated Video Surveillance Solutions Provider”

Shenzhen Starlink Technology Co.,Ltd

1811, Block A, Zhantao Technology Building, Longhua District, Shenzhen, P.R.China 518131

Email: info@qixingtechnology.com; qixing@qixingtechnology.com

<https://www.qixingtechnology.com>

©2009-2018 Shenzhen Starlink Technology Co.,Ltd. All rights reserved.

*Product specifications and availability are subject to change without notice.