

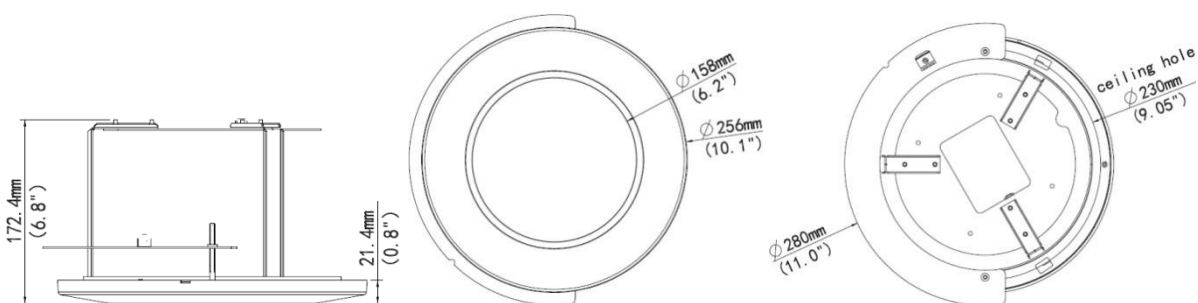
TR-FM200-IN Indoor PTZ Dome In-ceiling Mount



Specifications

Bracket	TR-FM200-IN
Application	Indoor, indoor PTZ dome in-ceiling installation
Dimensions	Φ280mmx172.4mm(Φ11"x6.8") In-ceiling hole: Φ230mm(Φ9.05")
Weight	2kg(4.4lb)
Material	Sheet metal and ABS

Dimensions



“Your Reliable Integrated Video Surveillance Solutions Provider”

Shenzhen Starlink Technology Co.,Ltd

1811, Block A, Zhantao Technology Building, Longhua District, Shenzhen, P.R.China 518131

Email: info@qixingtechnology.com; qixing@qixingtechnology.com

<https://www.qixingtechnology.com>

©2009-2018 Shenzhen Starlink Technology Co.,Ltd. All rights reserved.

*Product specifications and availability are subject to change without notice.