

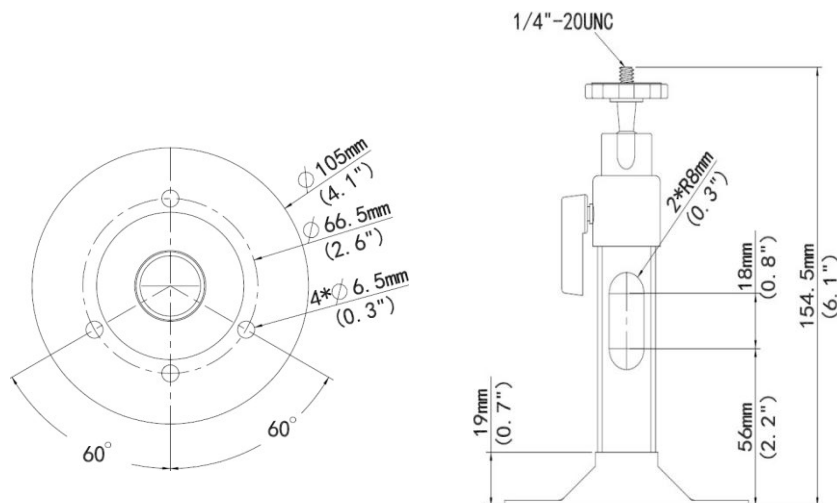
TR-UM06-A-IN Box Camera Mount



Specifications

Bracket	TR-UM06-A-IN
Application	Pendant or wall installation for bullet camera
Dimensions	Φ105mmx154.5mm(Φ4.1" x6.1")
Weight	0.2kg(0.44lb)
Bearable Load	5kg(11lb)
Material	Aluminum alloy
Adjustable Range	Horizontal:0° ~360° ; Vertical: 0° ~90°

Dimensions



“Your Reliable Integrated Video Surveillance Solutions Provider”

Shenzhen Starlink Technology Co.,Ltd

1811, Block A, Zhantao Technology Building, Longhua District, Shenzhen, P.R.China 518131

Email: info@qixingtechnology.com; qixing@qixingtechnology.com

<https://www.qixingtechnology.com>

©2009-2018 Shenzhen Starlink Technology Co.,Ltd. All rights reserved.

*Product specifications and availability are subject to change without notice.