

Fixed Dome Junction Box

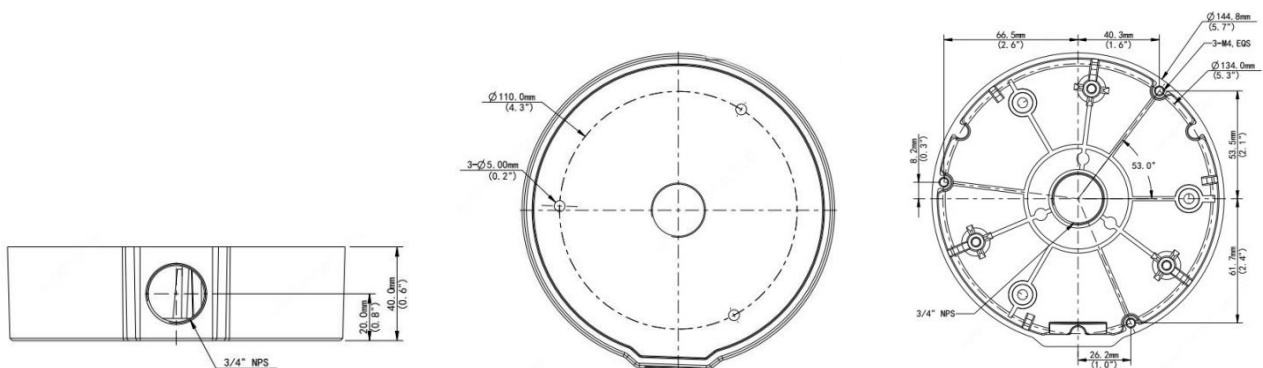
TR-JB04-C-IN



Specifications

Bracket	TR-JB04-C-IN
Application	Wall installation for IPC323X Series fixed dome
Dimensions	Φ144.8mm*40mm (5.70" x1.57")
Weight	0.3kg(0.66lb)
Material	Aluminum alloy

Dimension



“Your Reliable Integrated Video Surveillance Solutions Provider”

Shenzhen Starlink Technology Co.,Ltd

1811, Block A, Zhantao Technology Building, Longhua District, Shenzhen, P.R.China 518131

Email: info@qixingtechnology.com; qixing@qixingtechnology.com

<https://www.qixingtechnology.com>

©2009-2018 Shenzhen Starlink Technology Co.,Ltd. All rights reserved.

*Product specifications and availability are subject to change without notice.