

4-inch Fixed Dome Electric-box Transfer Plate

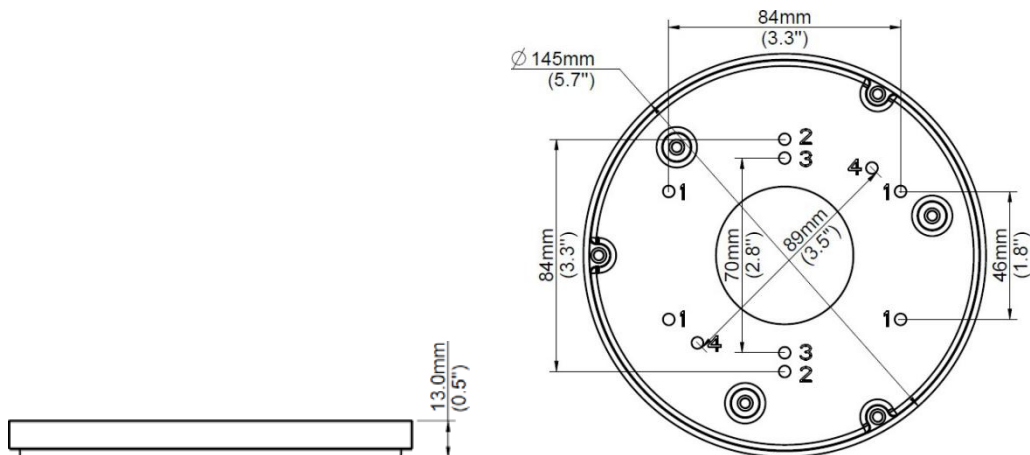
TR-SM04-IN



Specifications

Bracket	TR-SM04-IN
Application	Indoor, Electric-box Transfer plate for IPC323 Series Fixed Dome
Dimensions(L × W × H)	Φ145mmx13mm (5.7" x0.5")
Weight	0.13kg(0.29lb)
Material	Aluminum alloy

Dimensions



“Your Reliable Integrated Video Surveillance Solutions Provider”

Shenzhen Starlink Technology Co.,Ltd

1811, Block A, Zhantao Technology Building, Longhua District, Shenzhen, P.R.China 518131

Email: info@qixingtechnology.com; qixing@qixingtechnology.com

<https://www.qixingtechnology.com>

©2009-2018 Shenzhen Starlink Technology Co.,Ltd. All rights reserved.

*Product specifications and availability are subject to change without notice.