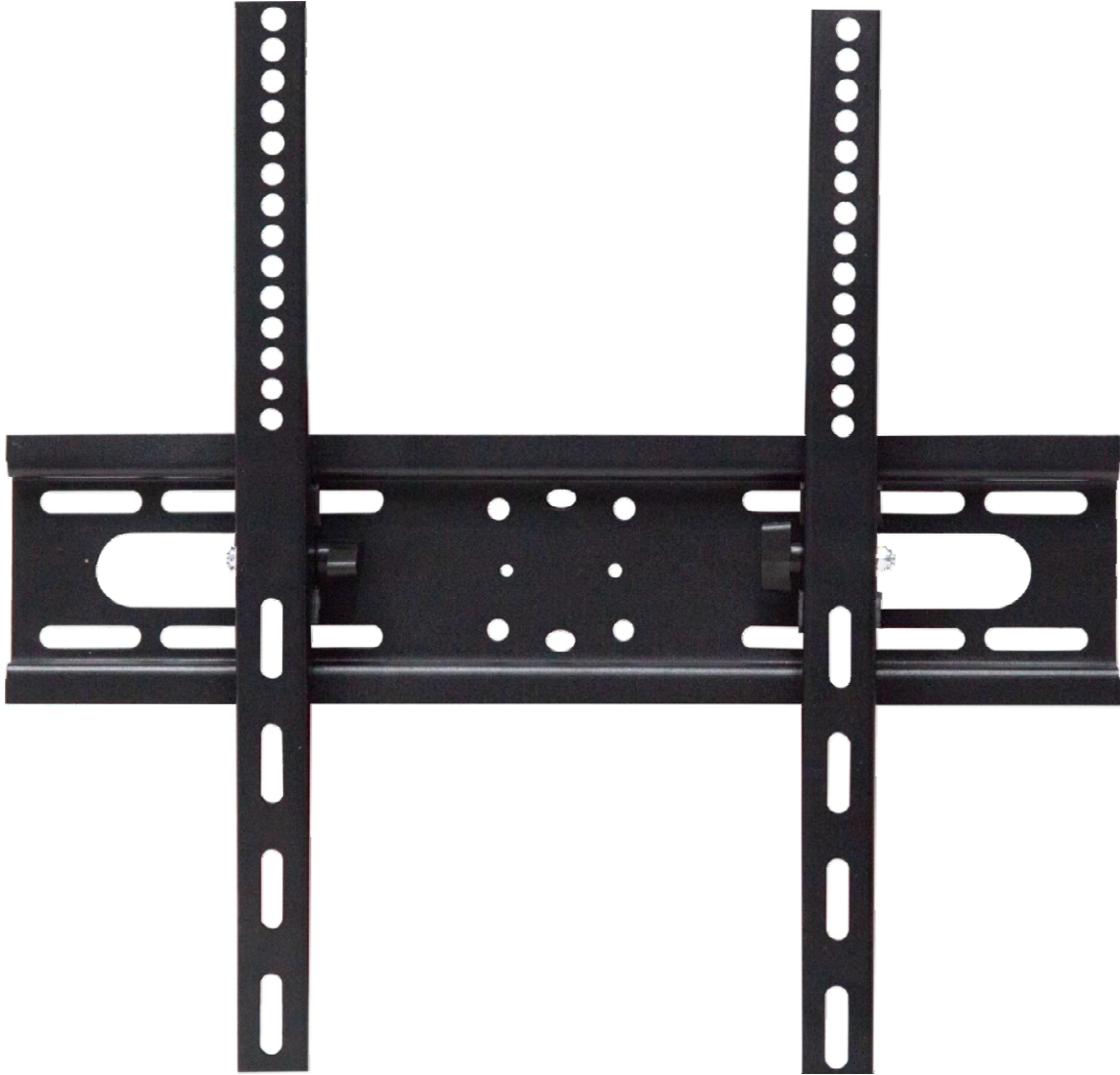


32"-55" Wall-hanging Mounts

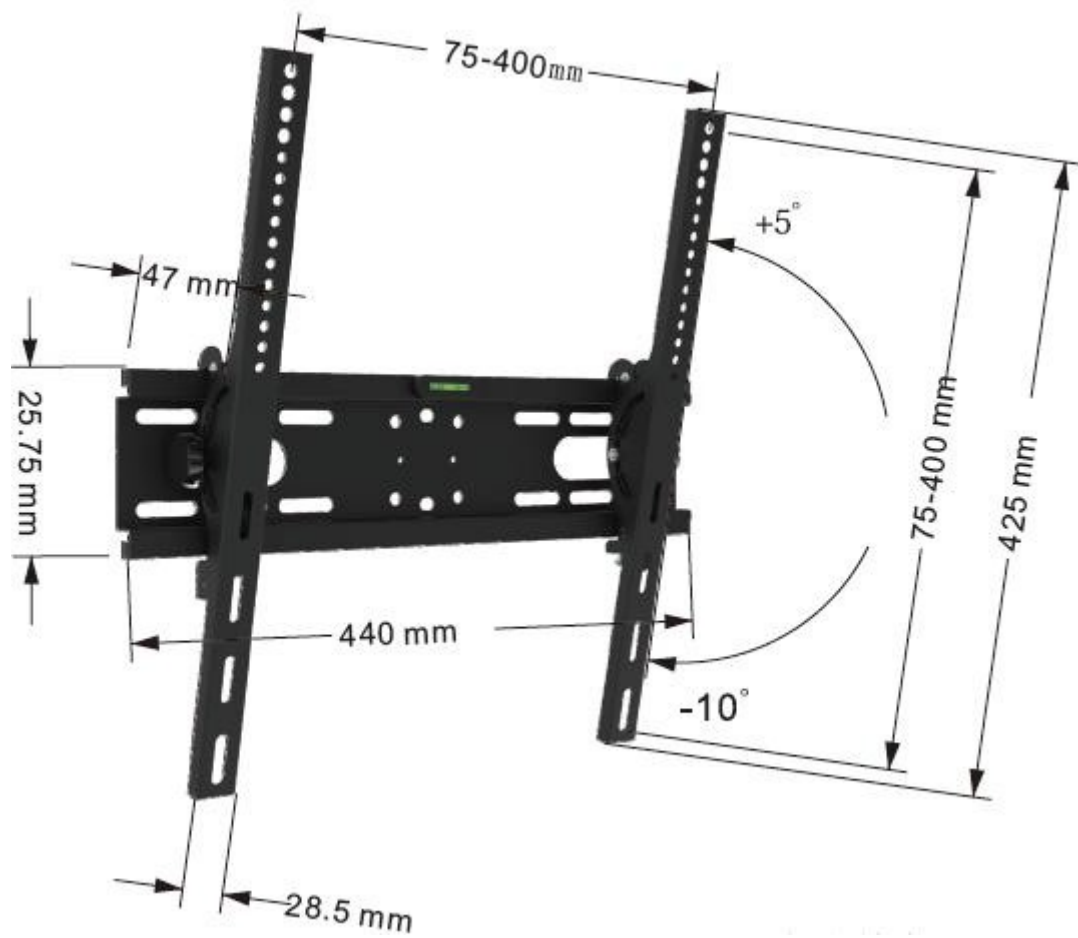
HB-4032-E



Specifications

Model	HB-4032-E
Application	Hanging Bracket for, MW3232-E, MW3243-E
Dimension (W×H×D)	440mm×425mm×47mm
Weight	1.4 Kg
Material	SGCC
Standard	VESA

Dimensions



“Your Reliable Integrated Video Surveillance Solutions Provider”

Shenzhen Starlink Technology Co.,Ltd

1811, Block A, Zhantao Technology Building, Longhua District, Shenzhen, P.R.China 518131

Email: info@qixingtechnology.com; qixing@qixingtechnology.com

<https://www.qixingtechnology.com>

©2009-2018 Shenzhen Starlink Technology Co.,Ltd. All rights reserved.

*Product specifications and availability are subject to change without notice.