

# 3MP Mini Fixed Bullet Network Camera

BDTSecure2123LR3PM



## Key Features

### Optics

Day/night functionality

Smart IR, up to 30m (98ft) IR distance

2D/3D DNR (Digital Noise Reduction)

### Compression

Ultra 265, H.265, H.264

ROI (Region of Interest)

### Network

ONVIF Conformance

### Structure

Wide temperature range: -30°C~60°C (-22°F~140°F)

Wide voltage range of  $\pm 25\%$

IP67

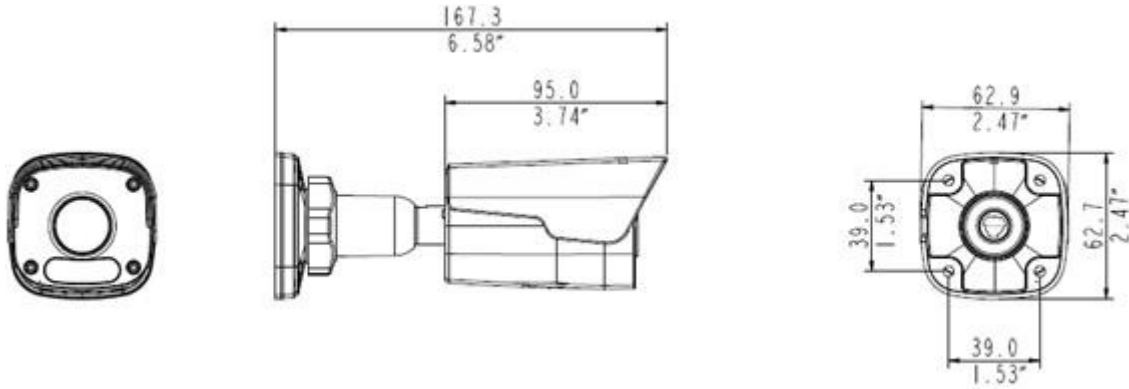
3-Axis

## Specifications

	BDTSecure2123LR3PF28M			BDTSecure2123LR3PF40M		
<b>Camera</b>						
Sensor	1/2.7", 3.0 megapixel, progressive scan, CMOS					
Lens	2.8mm@F2.0			4.0mm@F2.0		
DORI Distance	Lens (mm)	Detect (m)	Observe (m)	Recognize (m)	Identify (m)	
	2.8	50.4	20.2	10.1	5.0	
	4.0	72	28.8	14.4	7.2	
Angle of view (H)	113.1°			86.9°		
Angle of View (V)	60.6°			44.5°		
Angle of View (O)	139.1°			106.9°		
Adjustment angle	Pan: 0° ~ 360°		Tilt: 0° ~ 90°		Rotate: 0° ~ 360°	
Shutter	Auto/Manual, 1 ~ 1/1000000s					
Minimum Illumination	Colour: 0.01Lux ( F2.0, AGC ON) 0Lux with IR					
Day/Night	IR-cut filter with auto switch (ICR)					
Digital noise reduction	2D/3D DNR					
S/N	>52dB					
IR Range	Up to 30m (98ft) IR range					
WDR	DWDR					
<b>Video</b>						
Video Compression	Ultra 265, H.265, H.264					
H.264 code profile	Baseline profile, Main Profile, High Profile					
Frame Rate	Main Stream: 3MP (2304*1296), Max 20fps; SubStream: 4CIF (704*576), Max 20fps ThirdStream: CIF (352*288), Max20fps					
HLC	Supported					
BLC	Supported					
OSD	Up to 8 OSDs					
Privacy Mask	Up to 4 areas					
ROI	Up to 8 areas					
Motion Detection	Up to 4 areas					
<b>Network</b>						
Protocols	IPv4, IGMP, ICMP, TCP, UDP, DHCP, RTP, RTSP, RTCP, DNS, DDNS, NTP, UPnP, HTTP					
Compatible Integration	ONVIF (Profile S, Profile T), API					
<b>Interface</b>						
Network	10/100M Base-TX Ethernet					
<b>General</b>						
Power	DC 12V±25%, PoE (IEEE 802.3af)					
	Power consumption: Max 4W					
Dimensions (Ø x H)	167.3 × 62.9 × 62.7mm (6.6" × 2.5" × 2.5")					
Weight	0.37kg (0.81lb)					

Working Environment	-30°C ~ 60°C (-22°F ~ 140°F), Humidity: ≤95% RH (non-condensing)
Ingress Protection	IP67

## Dimensions



**“Your Reliable Integrated Video Surveillance Solutions Provider”**

**Shenzhen Starlink Technology Co.,Ltd**

1811, Block A, Zhantao Technology Building, Longhua District, Shenzhen, P.R.China 518131

Email: [info@qixingtechnology.com](mailto:info@qixingtechnology.com); [qixing@qixingtechnology.com](mailto:qixing@qixingtechnology.com)

<https://www.qixingtechnology.com>

©2009-2018 Shenzhen Starlink Technology Co.,Ltd. All rights reserved.

\*Product specifications and availability are subject to change without notice.