

4MP WDR Network IR Fixed Dome Camera

BDTSecure324SR3DVPF



Key Features

Optics

- Day/night functionality
- Smart IR, up to 30m (98ft) IR distance
- Up to 120 dB WDR (Wide Dynamic Range)
- 2D/3D DNR (Digital Noise Reduction)

Compression

- Ultra 265, H.264, MJPEG
- ROI (Region of Interest)
- Customized OSD

Network

- ONVIF Conformance

Structure

- Wide temperature range: -35°C ~ 60°C (-31°F ~ 140°F)
- Wide input voltage range of $\pm 25\%$
- IK10 vandal resistant
- IP67

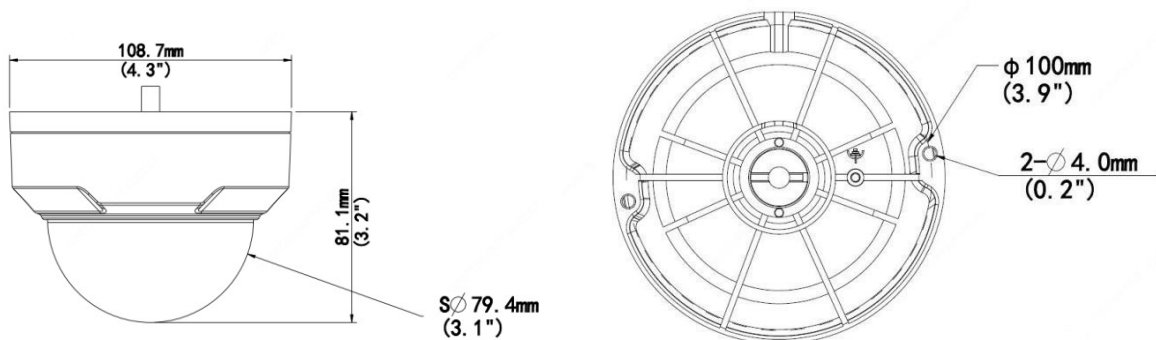
- 3-Axis

Specifications

	BDTSecure324SR3DVVPF28			BDTSecure324SR3DVVPF40		
Camera						
Sensor	1/3", 4.0 megapixel, progressive scan, CMOS					
Lens	2.8mm@F2.0			4.0mm@F2.0		
DORI Distance	Lens (mm)	Detect (m)	Observe (m)	Recognize (m)	Identify (m)	
	2.8	63.0	25.2	12.6	6.3	
	4.0	90.0	36.0	18.0	9.0	
Angle of View (H)	107.8°			82.0°		
Angle of View (V)	57.0°			41.6°		
Angle of View (O)	140.1°			100.9°		
Adjustment angle	Pan: 3° ~ 360°		Tilt: 0° ~ 68°		Rotate: 3° ~ 360°	
Shutter	Auto/Manual, 1 ~ 1/100000s					
Minimum Illumination	Colour: 0.01Lux (F2.0, AGC ON) 0Lux with IR					
Day/Night	IR-cut filter with auto switch (ICR)					
Digital noise reduction	2D/3D DNR					
S/N	>56dB					
IR Range	Up to 30m (98ft) IR range					
WDR	120dB					
Video						
Video Compression	Ultra 265, H.265, H.264, MJPEG					
H.264 code profile	Baseline profile, Main Profile					
Frame Rate	Main Stream: 4MP (2592*1520), Max 30fps; 4MP (2560*1440), Max 30fps; 3MP (2304*1296), Max 30fps; 1080P (1920*1080), Max 30fps Sub Stream: 4CIF (704*576), Max 30fps; Third Stream: CIF (352*288), Max 30fps					
HLC	Supported					
BLC	Supported					
OSD	Up to 4 OSDs					
Privacy Mask	Up to 4 areas					
ROI	Up to 2 areas					
Motion Detection	Up to 4 areas					
Audio						
Audio Compression	G.711					
Two-way audio	Supported					
Suppression	Supported					
Sampling Rate	8KHZ					
Storage						
Edge Storage	Micro SD, up to 256GB					
Network Storage	ANR					

Network	
Protocols	IPv4, IGMP, ICMP, ARP, TCP, UDP, DHCP, RTP, RTSP, RTCP, DNS, DDNS, NTP, FTP, UPnP, HTTP, HTTPS, SMTP, SSL
Compatible Integration	ONVIF (Profile S, Profile G, Profile T), API
Interface	
Audio I/O	Input: impedance 35kΩ; amplitude 2V [p-p]
	Output: impedance 600Ω; amplitude 2V [p-p]
Alarm I/O	1/1
Network	1 RJ45 10M/100M Base-TX Ethernet
General	
Power	DC 12V±25%, PoE (IEEE 802.3af)
	Power consumption: Max 5.5W
Dimensions (Ø x H)	Φ108.7 x 81.1mm (Ø4.3" x 3.2")
Weight	0.45kg (0.99lb)
Working Environment	-35°C ~ 60°C (-31°F ~ 140°F), Humidity: ≤95% RH (non-condensing)
Ingress Protection	IP67
Vandal Resistant	IK10

Dimensions





“Your Reliable Integrated Video Surveillance Solutions Provider”

Shenzhen Starlink Technology Co.,Ltd

1811, Block A, Zhantao Technology Building, Longhua District, Shenzhen, P.R.China 518131

Email: info@qixingtechnology.com; qixing@qixingtechnology.com

<https://www.qixingtechnology.com>

©2009-2018 Shenzhen Starlink Technology Co.,Ltd. All rights reserved.

*Product specifications and availability are subject to change without notice.