

# 4MP Network IR Fixed Dome Camera

BDTSecure3614SR3ADPF



## Key Features

### Optics

- Day/night functionality
- Up to 120dB WDR (Wide Dynamic Range)
- Smart IR, up to 30m (98ft) IR distance

### Compression

- Ultra 265, H.264, MJPEG
- Triple streams

### Network

- ONVIF Conformance

### Structure

- Wide temperature range: -30°C ~ 60°C (-22°F ~ 140°F)
- Wide voltage range of  $\pm 25\%$
- 4KV surge protection designed for network interface
- IP67

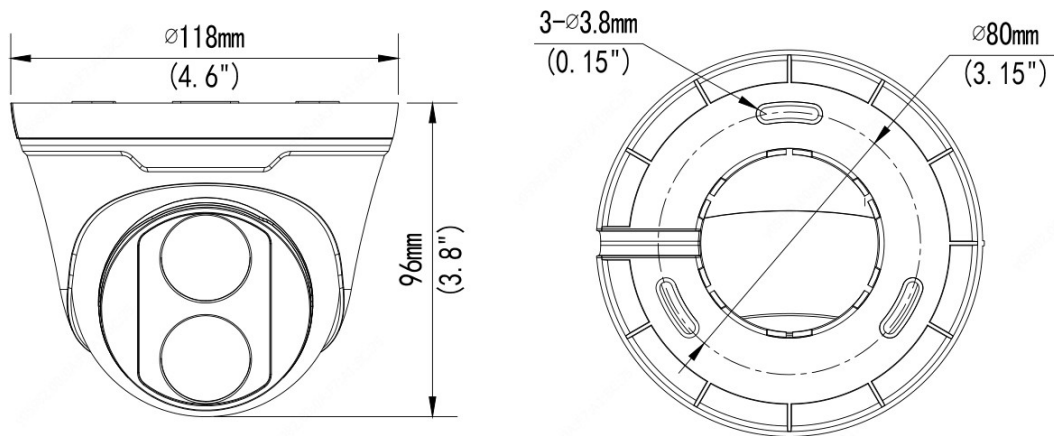
- 3-Axis

## Specifications

	BDTSecure3614SR3ADPF28			BDTSecure3614SR3ADPF40		
<b>Camera</b>						
Sensor	1/3", 4.0 megapixel, progressive scan, CMOS					
Lens	2.8mm@F2.0			4.0mm@F2.0		
DORI Distance	Lens (mm)	Detect (m)	Observe (m)	Recognize (m)	Identify (m)	
	2.8	63.0	25.2	12.6	6.3	
	4.0	90.0	36.0	18.0	9.0	
Angle of view(H)	107.8°			82.0°		
Angle of View (V)	57.0°			41.6°		
Angle of View (O)	140.1°			100.9°		
Adjustment angle	Pan: 0° ~ 360°		Tilt: 0° ~ 80°		Rotate: 0° ~ 360°	
Shutter	Auto/Manual, 1 ~ 1/100000s					
Minimum Illumination	Colour:0.01Lux (F2.0, AGC ON) 0Lux with IR on					
Day/Night	IR-cut filter with auto switch (ICR)					
Digital noise reduction	2D/3D DNR					
S/N	>56dB					
IR Range	Up to 30m (98ft) IR range					
WDR	120dB					
<b>Video</b>						
Video Compression	Ultra 265, H.265, H.264, MJPEG					
H.264 code profile	Baseline profile, Main Profile					
Frame Rate	Main Stream: 4MP (2592*1520), Max 30fps; 4MP (2560*1440), Max 30fps; 3MP (2304*1296), Max 30fps; 1080P(1920*1080), Max 30fps Sub Stream: 4CIF (704*576), Max 30fps; Third Stream: CIF (352*288), Max 30fps					
HLC	Supported					
BLC	Supported					
OSD	Up to 4 OSDs					
Privacy Mask	Up to 4 areas					
ROI	Up to 2 areas					
Motion Detection	Up to 4 areas					
<b>Audio</b>						
Audio Compression	G.711					
Suppression	Supported					
Sampling Rate	8KHZ					
<b>Network</b>						
Protocols	IPv4, IGMP, ICMP, ARP, TCP, UDP, DHCP, RTP, RTSP, RTCP, DNS, DDNS, NTP, FTP, UPnP, HTTP, HTTPS, SMTP, SSL					
Compatible Integration	ONVIF (Profile S, Profile G, Profile T), API					

Interface	
Network	1 RJ45 10M/100M Base-TX Ethernet
Built-in Mic	Supported
General	
Power	DC 12V±25%, PoE (IEEE 802.3af)
	Power consumption: Max 5.5W
Dimensions (Ø x H)	Φ118 x 96mm (Φ4.6" x 3.8")
Weight	0.33kg (0.73lb)
Operating Conditions	-30°C ~ 60°C (-22°F ~ 140°F), Humidity: ≤95% RH (non-condensing)
Ingress Protection	IP67

## Dimensions



**“Your Reliable Integrated Video Surveillance Solutions Provider”**

### Shenzhen Starlink Technology Co.,Ltd

1811, Block A, Zhantao Technology Building, Longhua District, Shenzhen, P.R.China 518131

Email: [info@qixingtechnology.com](mailto:info@qixingtechnology.com); [qixing@qixingtechnology.com](mailto:qixing@qixingtechnology.com)

<https://www.qixingtechnology.com>

©2009-2018 Shenzhen Starlink Technology Co.,Ltd. All rights reserved.

\*Product specifications and availability are subject to change without notice.