

4MP LightHunter Deep Learning Vandal-resistant Dome Network Camera

BDTSecure3234SADZK



Key Features

Optics

- 1/1.8", Powered by lighthunter*
- SmartIR, up to 40m (131 ft) IR distance*
- Up to 120 dB Optical WDR (Wide Dynamic Range)*

Smart

- Face detection, up to 40 faces simultaneously*
- Face metering, intelligent adjustment of face brightness*
- Capture faces upon successful recognition or triggered by alarm input*
- Automatic selection of best snapshots*
- People counting, statistics of people entering, leaving and the total number*
- Perimeter Protection, include Cross Line, Intrusion, Enter Area, Leave Area detection*
- Exception Detection and Statistics, include Object Moving, Object Left, Defocus, Scene Change*

Compression

- Ultra 265, H.265, H.264, MJPEG*
- Triple streams*
- 2688*1520@30fps in the main stream*

ROI (Region of Interest)

9:16 corridor mode

Network

ONVIF Conformance

Structure

DC12V or AC24V or PoE power supply

Wide voltage range of $\pm 25\%$ in AC, $\pm 25\%$ in DC

Micro SD, up to 256 GB

Alarm 1 in and 1 out, Audio 1 in and 1 out

IP67 ingress protection

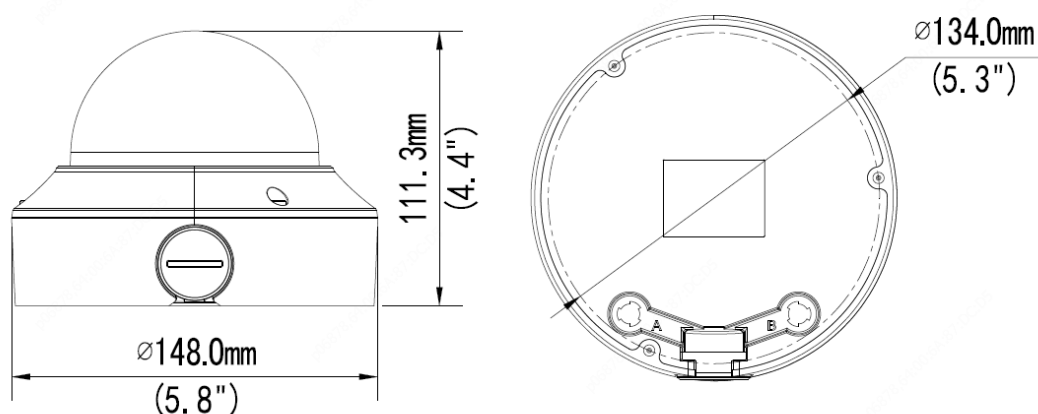
IK10 vandal resistant

Specifications

BDTSecure3234SADZK					
Camera					
Sensor	1/1.8", 4.0 megapixel, progressive scan, CMOS				
Lens	2.8-12mm@F1.2, AF automatic focusing and motorized zoom lens				
Iris	Auto aperture				
DORI Distance	Lens (mm)	Detect (m)	Observe (m)	Recognize (m)	Identify (m)
	2.8	42(12.8ft)	16.8(5.1ft)	8.4(2.6ft)	4.2(1.3ft)
	12	180(54.9ft)	72(21.9ft)	36(11.0ft)	18(5.5ft)
Angle of View (H)	35.6°~107.9°				
Angle of View (V)	20.4°~75.4°				
Angle of View (O)	43.8°~140.3°				
Shutter	Auto/Manual, 1 ~ 1/100000s				
Adjustment angle	Pan: 0°~355°		Tilt: 0°~68°		Rotate: 0°~355
Min. Illumination	Colour:0.0005lux (F1.2, AGC ON) 0 lux with IR				
WDR	120dB				
Day/Night	IR-cut filter with auto switch (ICR)				
Video					
Video Compression	Ultra 265, H.265, H.264, MJPEG				
Frame Rate	4MP(2688*1520),Max 30fps				
9:16 corridor mode	Supported				
ROI	Supported				
Video stream	Triple streams				
OSD	Up to 8 OSDs				
Privacy Mask	Supported				
Smart					
Behavior Detection	Line crossing detection, Intrusion detection, Region entrance detection, Region exit detection				
Exception Detection And Statistics	Object Moving, Object Left, Defocus, Scene Change				

Recognition	Face detection
Statistical Analysis	People counting
General Function	Watermark, IP Address Filtering, Tampering Alarm, Alarm input, Alarm output, Access Policy, ARP Protection, RTSP Authentication, User Authentication
Audio	
Audio Compression	G.711U,G.711A
Voice intercom	Supported
Sampling Rate	8KHZ
Storage	
Edge Storage	Micro SD, up to 256 GB
Network	
Protocols	L2TP,IPv4,IGMP,ICMP,ARP,TCP,UDP,DHCP,PPPoE,RTP,RTSP,DNS,DDNS,NTP,FTP,UPnP,HTTP,SNMP,SIP
Compatible Integration	ONVIF,IMOS
Interface	
Audio I/O	Audio cable
	1/1
Alarm I/O	1/1
Network	1 x RJ45 10M/100M Base-TX Ethernet
General	
Power	AC24V±25%, DC12V(±25%), PoE(IEEE 802.3af)
	Power consumption: 4.5W ~10W
	Support reverse polarity protection, Overvoltage and overcurrent protection , Input short circuit protection
Dimensions (Ø x H)	Φ148 x 111.3mm(Φ5.8" x 4.4")
Weight	0.96kg(2.12lb)
Working Environment	-30°C ~60°C (-22°F ~ 140°F), ≤95%RH
IR fill-in light	40m (131 ft)
Vandal Resistant	IK10
Ingress Protection	IP67

Dimensions





“Your Reliable Integrated Video Surveillance Solutions Provider”

Shenzhen Starlink Technology Co.,Ltd

1811, Block A, Zhantao Technology Building, Longhua District, Shenzhen, P.R.China 518131

Email: info@qixingtechnology.com; qixing@qixingtechnology.com

<https://www.qixingtechnology.com>

©2009-2018 Shenzhen Starlink Technology Co.,Ltd. All rights reserved.

*Product specifications and availability are subject to change without notice.