

4MP Dual-spectrum Human Body Temperature Measurement Bullet Network Camera

BDTSecureTIC2531TER5



Key Features



Optics

- Thermal & Optical dual-spectrum image, dual video with single IP address, adaptable to more various scenes
- Starlight illumination

Smart

- Support human body temperature measurement which should be used with black-body
- Support face detection
- Support mask and human body temperature attribute collection
- Support alarm when no mask and abnormal temperature are detected
- Support audio and light alarm

Compression

- Ultra 265, H.265, H.264, MJPEG
- Triple streams
- Max 2688*1520@60fps in the optical module
- Max 720P@25fps in the thermal module

Network

- ONVIF Conformance

Structure

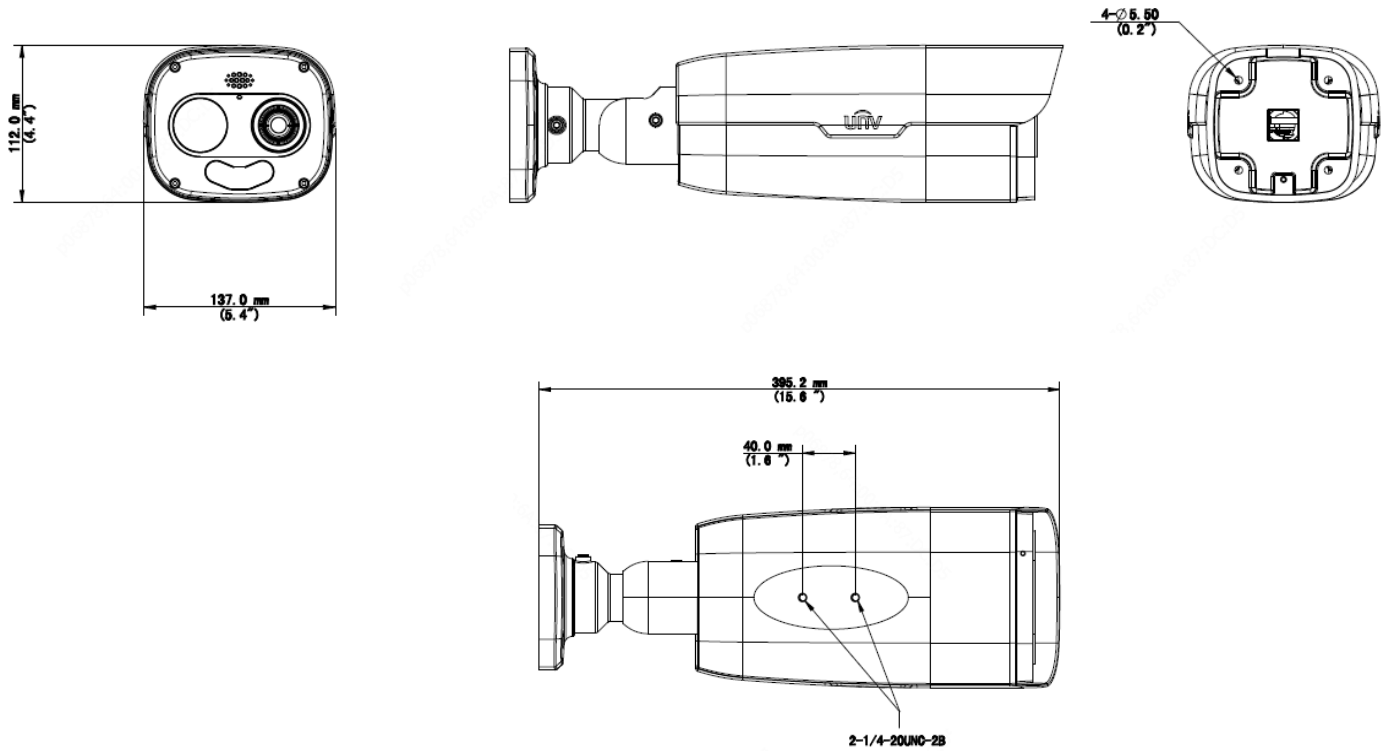
- DC12V or PoE power supply
- Wide voltage range of $\pm 25\%$ in DC
- Micro SD, up to 256 GB
- Alarm 2 in and 2 out, Audio 1 in and 1 out

Specifications

| BDTSecureTIC2531TERS | |
|---|---|
| Optical Module | |
| Sensor | 1/1.8", 4.0 megapixel, progressive scan, CMOS |
| Lens | 6mm@F1.6, |
| Iris | Fixed Iris |
| Angle of View (H) | 56.1° |
| Angle of View (V) | 31.7° |
| Frame Rate | 4MP(2688*1520), Max 60fps |
| Shutter | Auto/Manual, 1 ~ 1/100000s |
| Min. Illumination | Colour:0.001lux (F1.6, AGC ON) 0 lux with IR |
| WDR | 120dB |
| Day/Night | IR-cut filter with auto switch (ICR) |
| IR Range | Up to 50m (164 ft) IR range |
| Wavelength | 850nm |
| IR On/Off Control | Auto/Manual |
| BLC | Supported |
| Thermal Module | |
| Sensor type | Vanadium Oxide Uncooled Focal Plane Arrays |
| Max. Resolution | 384*288 |
| Angle of View (H) | 39.0° |
| Angle of View (V) | 29.6° |
| Frame Rate | 720P(1280*720), Max 25fps |
| Response waveband | 8~14 μ m |
| Pixel size | 17 μ m |
| IFOV | 1.75mrad |
| NETD | ≤ 40 mk @ f1.0 @ 23 $\pm 3^{\circ}$ C |
| Lens(focal length) | 10mm @F1.0 |
| Palette | Up to 20 palettes of optional color, including: white hot, lava, iron oxide red, hot iron, medical, arctic, rainbow 1, rainbow 2, rainbow 3, depict hot, ice hot, black hot, mazarine, fusion, red hot, green hot, color 1, color 2, rain, puce |
| Temperature measurement accuracy | |
| Temperature range | 30°C~45°C |
| Temperature accuracy | $\pm 0.3^{\circ}$ C (with black-body) , without black-body is not supported |
| Temperature measurement working environment | 16°C~32°C |

| Smart | |
|------------------------------------|---|
| Human body Temperature measurement | Support human body temperature measurement when OSD displays the temperature on the body surface or inside Support human body temperature measurement alarm, and set alarm threshold temperature |
| Audio and light alarm | Support audio and light warning function, with red and blue warning lights built in |
| Face detection | Optical camera support face detection |
| Attribute collection | Support mask and human body temperature attribute collection |
| Alarm | Support alarm when no mask and abnormal temperature are detected |
| General Function | Watermark, IP Address Filtering, Alarm input, Alarm output, Access Policy, ARP Protection, RTSP Authentication, User Authentication |
| Video | |
| Compression | Ultra265, H.265, H.264, MJPEG |
| Video Stream | Triple streams |
| OSD | Up to 8 OSDs |
| Privacy Mask | Up to 8 areas(8 blacks) |
| Audio | |
| Audio Compression | G.711U,G.711A |
| Two-way audio | Supported, Built in mic and speakers |
| Sampling Rate | 8KHZ |
| Storage | |
| Edge Storage | Micro SD, up to 256 GB |
| Network Storage | ANR |
| Network | |
| Protocols | IPv4, IGMP, ICMP, ARP, TCP, UDP, DHCP, PPPoE, RTP, RTSP, RTCP, DNS, DDNS, NTP, FTP, UPnP, HTTP, HTTPS, SMTP, 802.1x, SNMP, QoS, RTMP |
| Compatible Integration | ONVIF (Profile S, Profile G, Profile T) |
| Web Browser | Plug-in required live view: IE9+, Chrome 41 and below, Firefox 52 and below |
| Interface | |
| Audio I/O | Audio cable |
| | 1 Input: impedance 35kΩ; amplitude 2V [p-p] |
| | 1 output: impedance 600Ω; amplitude 2V [p-p] |
| Alarm I/O | 2/2 |
| Serial Port | 1 RS485 |
| Network | 1 x RJ45 10M/100M Base-TX Ethernet |
| General | |
| Power | DC12V(±25%), PoE+(IEEE802.3at) |
| | Power consumption: Max 14W |
| | Support reverse polarity protection, Overvoltage and overcurrent protection , Input short circuit protection |
| Dimensions (∅ x H) | Φ395.2mmx137.0mmx112.0mm(Φ15.6''x5.4''x4.4'') |
| Net Weight | 3.5kg(7.7lb) |
| Installation method | Tripod |

Dimensions



Accessories

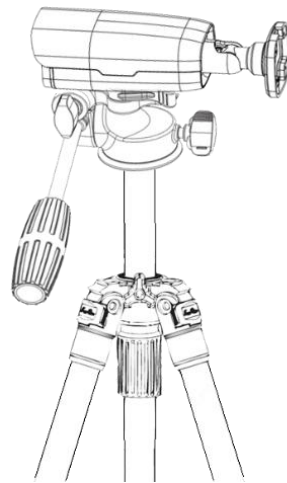
9901C0H4



9901C0H3



Tripod installation



“Your Reliable Integrated Video Surveillance Solutions Provider”

Shenzhen Starlink Technology Co.,Ltd

1811, Block A, Zhantao Technology Building, Longhua District, Shenzhen, P.R.China 518131

Email: info@qixingtechnology.com; qixing@qixingtechnology.com

<https://www.qixingtechnology.com>

©2009-2018 Shenzhen Starlink Technology Co.,Ltd. All rights reserved.

*Product specifications and availability are subject to change without notice.