

## 2MP LightHunter Active Deterrence Network PTZ Dome Camera

**BDTSecure672LRAX4DUPKC**



### Key Features



### Optics

- **LightHunter illumination**
- **Day/night functionality**
- **Up to 50 m (164 ft) IR and 10m (33 ft) warm light distance**
- **Up to 120 dB Optical WDR(Wide Dynamic Range)**
- **Optical glass window with higher light transmittance**
- **IR anti-reflection window to increase the infrared transmittance**
- **2D/3D DNR (Digital Noise Reduction)**

### Compression

- **Ultra 265,H.265, H.264, MJPEG**
- **Built-in microphone & speaker**
- **Alarm Light**
- **Triple streams**
- **ROI (Region of Interest)**

## Network

- ONVIF Conformance

## Structure

- Support PoE power supply
- Wide temperature range: -20°C ~ 60°C (-4°F to 140°F)
- Wide voltage range of  $\pm 25\%$
- IP66

## Specifications

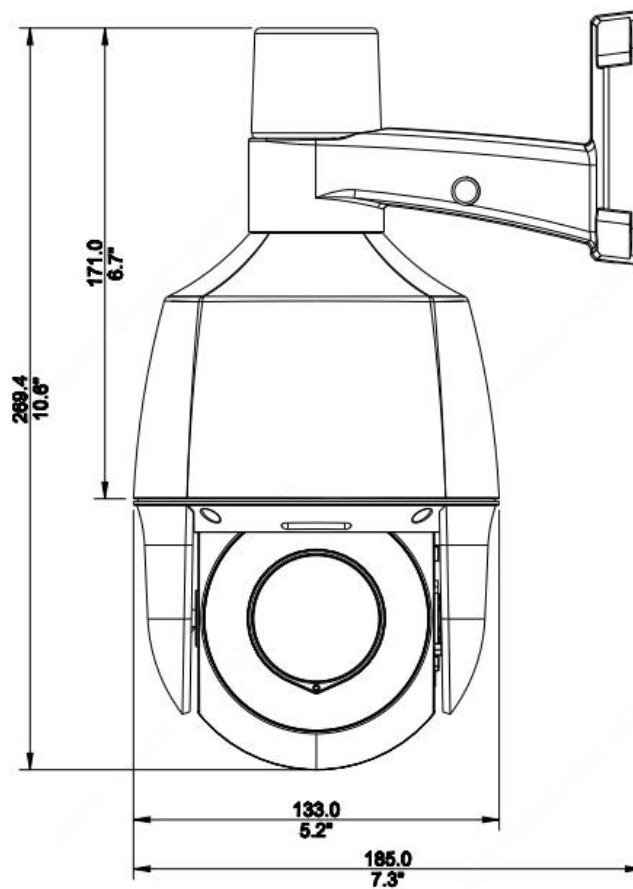
BDTSecure672LRAX4DUPKC					
<b>Camera</b>					
Sensor	1/2.8" progressive scan, 2.0 megapixel, CMOS				
Lens	2.8~12mm, AF automatic focusing and motorized zoom lens				
DORI Distance	Lens	Detect(m)	Observe(m)	Recognize(m)	Identify(m)
	2.8mm	43.4	17.4	8.7	4.3
	12mm	186.2	74.5	37.2	18.6
Angle of View (H)	32.5°~95.7°				
Angle of View (V)	18.4°~52.2°				
Angle of View (O)	36.9°~100.8°				
Shutter	Auto/Manual, shutter time: 1 s ~ 1/100000 s				
Minimum Illumination	Colour:0.001 lux (F1.6,AGC ON) 0 lux with IR				
Day/Night	IR-cut filter with auto switch (ICR)				
Digital noise reduction	2D/3D DNR				
S/N	>52 dB				
IR Range	UP to 50m (164ft)				
Wavelength	850nm				
IR On/Off Control	Auto/Manual				
Warm Light Range	UP to 10m (33ft)				
WDR	120dB				
<b>Video</b>					
Video Compression	Ultra 265,H.265, H.264, MJPEG				
H.264 code profile	Baseline profile, Main Profile				
Frame Rate	Main Stream:1080P (1920*1080):Max. 30 fps; 720P (1280×720):Max. 30 fps; Sub Stream: 720P (1280×720):Max. 30 fps; Third Stream: CIF (352*288): Max. 30 fps				
Video Bit Rate	128 Kbps~16 Mbps				
OSD	Up to 8 OSDs				

<b>Privacy Mask</b>	<i>Up to 24 areas</i>
<b>ROI</b>	<i>Up to 8 areas</i>
<b>Motion Detection</b>	<i>Up to 4 areas</i>
<b>Image</b>	
<b>White Balance</b>	<i>Auto/Outdoor/Fine Tune/Sodium Lamp/Locked/Auto2</i>
<b>Digital noise reduction</b>	<i>2D/3D DNR</i>
<b>Smart IR</b>	<i>Support</i>
<b>Flip</b>	<i>Normal/Vertical/Horizontal/180°</i>
<b>Dewarping</b>	<i>Support</i>
<b>HLC</b>	<i>Supported</i>
<b>BLC</b>	<i>Supported</i>
<b>Audio</b>	
<b>Audio Compression</b>	<i>G.711</i>
<b>Suppression</b>	<i>Supported</i>
<b>Sampling Rate</b>	<i>8 KHZ</i>
<b>Storage</b>	
<b>Edge Storage</b>	<i>Micro SD, up to 128 GB</i>
<b>Network Storage</b>	<i>ANR, NAS(NFS)</i>
<b>Network</b>	
<b>Protocols</b>	<i>IPv4, IGMP, ICMP, ARP, TCP, UDP, DHCP, PPPoE, RTP, RTSP, RTCP, DNS, DDNS, NTP, FTP, UPnP, HTTP, HTTPS, SMTP, 802.1x, SNMP, SSL</i>
<b>Compatible Integration</b>	<i>ONVIF(Profile S, Profile G, Profile T), API</i>
<b>Client</b>	<i>EZStation EZView EZLive</i>
<b>Web Browser</b>	<i>Plug-in required live view: IE9+, Chrome 41 and below, Firefox 52 and below Plug-in free live view: Chrome 57.0+, Firefox 58.0+, Edge 16+, Safari 11+</i>
<b>Pan &amp; Tilt</b>	
<b>Pan Range</b>	<i>345°</i>
<b>Pan Speed</b>	<i>0.1°/s ~ 50°/s Preset speed: 50°/s</i>
<b>Tilt Range</b>	<i>90°</i>
<b>Tilt Speed</b>	<i>0.1° ~ 40°/s Preset speed: 40°/s</i>
<b>Number of Presets</b>	<i>256</i>
<b>Patrol</b>	<i>Preset patrol, Route patrol</i>
<b>Interface</b>	
<b>Network</b>	<i>1 RJ45 10M/100M Base-TX Ethernet</i>
<b>Built-in Mic</b>	<i>Supported</i>
<b>Built-in Speaker</b>	<i>Supported</i>
<b>Alarm Light</b>	<i>Supported</i>
<b>Certifications</b>	
<b>Certifications</b>	<i>CE: EN 60950-1 UL: UL60950-1 FCC: FCC Part 15</i>

## General

<b>Power</b>	<b>DC 12V±25%, PoE (IEEE802.3 at)</b>
	<b>Power consumption: Max 16 W</b>
<b>Dimensions (Ø x H)</b>	<b>Φ133mm*269.4mm (Φ5.2"x 10.6")</b>
<b>Net Weight</b>	<b>0.87 kg (1.92lb)</b>
<b>Gross Weight</b>	<b>1.13 kg (2.49lb)</b>
<b>Material</b>	<b>The front half of the sphere: metal The others: plastic</b>
<b>Working Environment</b>	<b>-20°C ~ 60°C (-4°F to 140°F), Humidity:≤95% RH(non-condensing)</b>
<b>Storage Environment</b>	<b>-20°C ~ 60°C (-4°F to 140°F), Humidity:≤95% RH(non-condensing)</b>
<b>Surge Protection</b>	<b>4KV</b>
<b>Ingress Protection</b>	<b>IP66</b>
<b>Reset Button</b>	<b>Supported</b>

## Dimensions



## Accessories

**TR-JB07-D-IN**



**TR-UP06-B-IN**



**TR-UP06-C-IN**



**TR-A01-IN**



**“Your Reliable Integrated Video Surveillance Solutions Provider”**

**Shenzhen Starlink Technology Co.,Ltd**

1811, Block A, Zhantao Technology Building, Longhua District, Shenzhen, P.R.China 518131

Email: [info@qixingtechnology.com](mailto:info@qixingtechnology.com); [qixing@qixingtechnology.com](mailto:qixing@qixingtechnology.com)

<https://www.qixingtechnology.com>

©2009-2018 Shenzhen Starlink Technology Co.,Ltd. All rights reserved.

\*Product specifications and availability are subject to change without notice.