

8MP LightHunter Deep Learning Bullet Network Camera

BDTSecure268EADZK



Key Features



Optics

- **1/1.8"**, Powered by lighthunter
- **SmartIR**, up to 100m (328 ft) IR distance
- **Up to 120 dB Optical WDR (Wide Dynamic Range)**

Compression

- **Ultra 265, H.265, H.264, MJPEG**
- **Triple streams**
- **3840*2160@30fps in the main stream**
- **ROI (Region of Interest)**

Network

- **ONVIF Conformance**

Structure

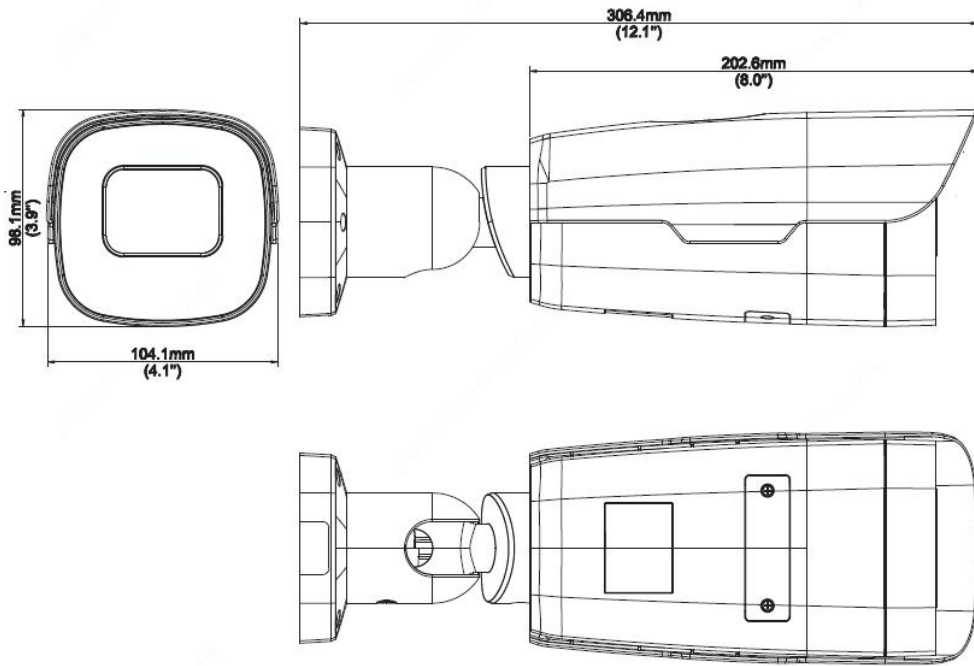
- **DC12V or AC24V or PoE power supply**
- **Wide voltage range of $\pm 25\%$ in AC, $-10\% \sim +25\%$ in DC**
- **Micro SD, up to 256 GB**
- **Alarm 2 in and 1 out, Audio 1 in and 1 out**
- **IP67 ingress protection**
- **IK10 vandal resistant**

Specifications

BDTSecure268EADZK					
Camera					
Sensor	1/1.8", 8.0 megapixel, progressive scan, CMOS				
Lens	2.8-12mm@F1.2, AF automatic focusing and motorized zoom lens				
Iris	Auto aperture				
DORI Distance	Lens (mm)	Detect (m)	Observe (m)	Recognize (m)	Identify (m)
	2.8	63.0(206.6ft)	25.2(82.6ft)	12.6(41.3ft)	6.3(20.7ft)
	12	270(885.6ft)	108(354.2ft)	54(177.1ft)	27(88.6ft)
Angle of View (H)	41.6°~106.5°				
Angle of View (V)	24.0°~55.0°				
Angle of View (O)	47°~126°				
Shutter	Auto/Manual, 1 ~ 1/100000s				
Min. Illumination	Colour:0.002lux (F1.2, AGC ON) 0 lux with IR				
WDR	120dB				
Day/Night	IR-cut filter with auto switch (ICR)				
S/N	>55dB				
IR Range	Up to 100m (328 ft) IR range				
Wavelength	850nm				
IR On/Off Control	Auto/Manual				
Defog	Digital Defog				
Video					
Video Compression	Ultra 265,H.265,H.264,MJPEG				
Frame Rate	Main Stream: 8MP(3840*2160),Max 30fps; 4MP(2560*1440),Max 30fps; 2MP(1920*1080),Max 30fps; Sub Stream: 2MP (1920*1080), Max 30fps; Third Stream: D1 (720*576), Max 30fps				
Video Bit Rate	128 Kbps~16 Mbps				
ROI	Supported				
Video stream	Triple streams				
OSD	Up to 8 OSDs				
Privacy Mask	Up to 8 areas(8 blacks/4 mosaics+4 blacks)				
Image					
White Balance	Auto/Outdoor/Fine Tune/Sodium Lamp/Locked/Auto2				
Digital noise reduction	2D/3D DNR				
Smart IR	Support				
Flip	Normal/Flip Vertical/Flip Horizontal/180°/90°Clockwise/90°Anti-clockwise				
HLC	Support				
BLC	Support				
Smart					
General Function	Watermark, IP Address Filtering, Tampering Alarm, Alarm input, Alarm output, Access Policy, ARP Protection, RTSP Authentication, User Authentication				
Audio					
Audio Compression	G.711U,G.711A				
Two way audio	Supported				
Sampling Rate	8KHZ				
Storage					

Edge Storage	<i>Micro SD, up to 256 GB</i>
Network Storage	<i>ANR,NAS(NFS)</i>
Network	
Protocols	<i>IPv4, IGMP, ICMP, ARP, TCP, UDP, DHCP, PPPoE, RTP, RTSP, RTCP, DNS, DDNS, NTP, FTP, UPnP, HTTP, HTTPS, SMTP, 802.1x, SNMP, QoS, RTMP</i>
Compatible Integration	<i>ONVIF (Profile S, Profile G, Profile T), API</i>
Client	<i>EZStation Ezview EZLive</i>
Web Browser	<i>Plug-in required live view: IE9+, Chrome 41 and below, Firefox 52 and below</i>
Interface	
Audio I/O	<i>Audio cable</i>
	<i>1 Input: impedance 35kΩ; amplitude 2V *p-p]</i>
	<i>1 output: impedance 600Ω; amplitude 2V *p-p]</i>
Alarm I/O	<i>2/1</i>
Network	<i>1 x RJ45 10M/100M/1000M Base-TX Ethernet</i>
Serial Port	<i>1 RS485</i>
Certifications	
Certifications	<i>CE: EN 60950-1 UL: UL60950-1 FCC: FCC Part 15</i>
General	
Power	<i>AC24V±25%, DC12V(-10%~+25%), PoE(IEEE802.3at)</i>
	<i>Power consumption: Max 14W</i>
	<i>Support overcurrent protection, Input short circuit protection</i>
Dimensions (Ø x H)	<i>Φ306.4x104.1x98.1mm(Φ12.1"x4.1"x3.9")</i>
Net Weight	<i>1.60kg(3.52lb)</i>
Material	<i>Sun shield: plastic Front cover: plastic Body: metal Bracket: metal</i>
Working Environment	<i>-40°C~60°C(-40°F ~ 140°F), Humidity: ≤95% RH (non-condensing)</i>
Storage Environment	<i>-40°C~70°C(-40°F ~ 158°F), Humidity: ≤95% RH (non-condensing)</i>
Surge protection	<i>6KV</i>
Vandal Resistant	<i>IK10</i>
Ingress Protection	<i>IP67</i>

Dimensions



Accessories

TR-JB07-D-IN



TR-JB06-A-IN



TR-UP06-B-IN

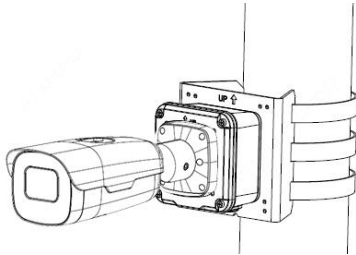
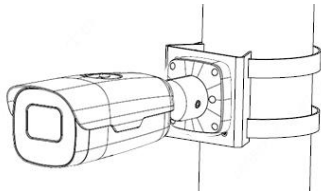


TR-UP06-C-IN



TR-A01-IN



<i>Junction Mount</i>	<i>Pole Mount</i>
TR-JB07-D-IN(TR-JB06-A-IN)+ TR-UP06-C-IN	TR-UP06-B-IN
	



“Your Reliable Integrated Video Surveillance Solutions Provider”

Shenzhen Starlink Technology Co.,Ltd

1811, Block A, Zhantao Technology Building, Longhua District, Shenzhen, P.R.China 518131

Email: info@qixingtechnology.com; qixing@qixingtechnology.com

<https://www.qixingtechnology.com>

©2009-2018 Shenzhen Starlink Technology Co.,Ltd. All rights reserved.

*Product specifications and availability are subject to change without notice.