

4MP 33x Lighthunter Network PTZ Dome Camera

BDTSecure6254SRX33DUP



Key Features

Optics

- *Starlight illumination*
- *33x optical zoom*
- *Accurate and fast focusing*
- *Smart IR, up to 200m(656ft) IR distance*
- *EIS (Electronic Image Stabilization)*

Compression

- *4 Megapixel image*
- *Ultra 265, H.265, H.264, MJPEG*
- *Triple streams*
- *Customized OSD*

Network

- *ONVIF Conformance*

Structure

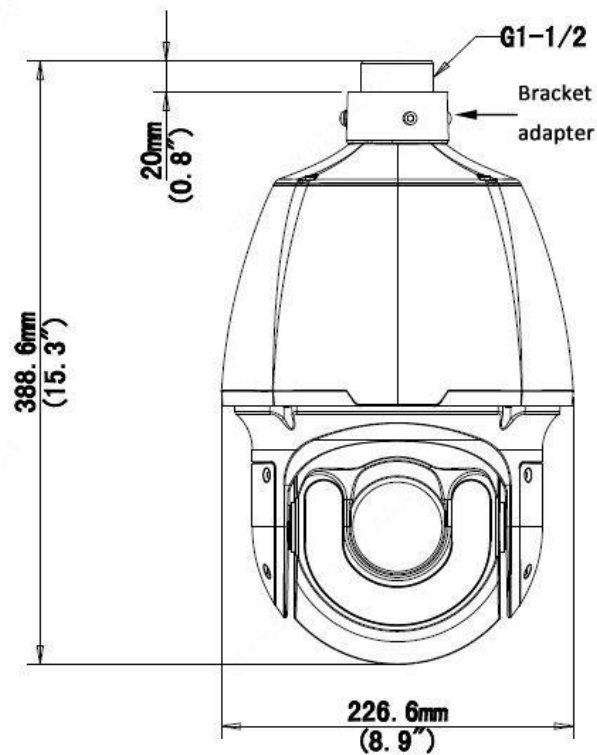
- Innovative snow-removing functionality
- Intelligent temperature control technology
- 6KV surge protection designed for network interface
- More effective heat dissipation system
- IP66

Specifications

| BDTSecure6254SRX33DUP | | | | | |
|--------------------------------|------------------------------------------------------------------------------------------------------------------------------|-------------------|--------------------|----------------------|---------------------|
| Camera | | | | | |
| Sensor | 1/2.8", 4.0 megapixel, progressive scan, CMOS | | | | |
| Lens | 4.5 ~ 148.5mm, AF automatic focusing and motorized zoom lens | | | | |
| Digital Zoom | 16 | | | | |
| Optical Zoom | 33 | | | | |
| DORI Distance | Lens (mm) | Detect (m) | Observe (m) | Recognize (m) | Identify (m) |
| | 4.5 | 101.3(332.2ft) | 40.5(132.9ft) | 20.3(66.4ft) | 10.1(33.2ft) |
| | 148.5 | 3341.3(10962.1ft) | 1336.5(4384.8ft) | 668.3(2192.4ft) | 334.1(1096.2ft) |
| Angle of View (H) | 52.4° ~ 2.2° | | | | |
| Angle of View (V) | 40.5° ~ 1.7° | | | | |
| Angle of View (O) | 64.4° ~ 2.6° | | | | |
| Shutter | Auto/Manual; shutter time: 1 ~ 1/100000s | | | | |
| Minimum Illumination | Colour: 0.003 lux (F1.5,AGC ON) 0 lux with IR | | | | |
| Iris | Auto/Manual; F1.5 ~ F4.0 | | | | |
| Day/Night | IR-cut filter with auto switch (ICR) | | | | |
| Digital noise reduction | 2D/3D DNR | | | | |
| S/N | >52dB | | | | |
| IR range | Up to 200m(656ft) | | | | |
| Defog | Digital Defog | | | | |
| WDR | 120dB | | | | |
| Video | | | | | |
| Video Compression | Ultra 265, H.265, H.264, MJPEG | | | | |
| H.264 code profile | Baseline profile, Main Profile, High Profile | | | | |
| Frame Rate | Main Stream: 4MP (2688*1520), Max 30fps; Sub Stream: 2MP (1920*1080), Max 30fps; Third Stream: D1 (720*576), Max 30fps | | | | |
| HLC | Supported | | | | |
| BLC | Supported | | | | |
| EIS | Supported | | | | |
| OSD | Up to 8 OSDs | | | | |

| | |
|-------------------------------|-------------------------------------------------------------------------------------------------------------------------------------------------------------|
| Privacy Mask | <i>Up to 24 areas</i> |
| ROI | <i>Up to 8 areas</i> |
| Motion Detection | <i>Up to 4 areas</i> |
| Smart | |
| General Function | <i>Watermark, IP Address Filtering, Tampering Alarm, Alarm input, Alarm output, Access Policy, ARP Protection, RTSP Authentication, User Authentication</i> |
| Audio | |
| Audio Compression | <i>G.711</i> |
| Two-way audio | <i>Supported</i> |
| Suppression | <i>Supported</i> |
| Sampling Rate | <i>8KHZ</i> |
| Storage | |
| Edge Storage | <i>Micro SD, up to 256GB</i> |
| Network Storage | <i>ANR</i> |
| Network | |
| Protocols | <i>IPv4, IGMP, ICMP, ARP, TCP, UDP, DHCP, PPPoE, RTP, RTSP, RTCP, DNS, DDNS, NTP, FTP, UPnP, HTTP, HTTPS, SMTP, 802.1x, SNMP, QoS</i> |
| Compatible Integration | <i>ONVIF (Profile S, Profile G, Profile T), API</i> |
| Pan & Tilt | |
| Pan Range | <i>360° (endless)</i> |
| Pan Speed | <i>0.1°/s ~ 240°/s</i> |
| | <i>Preset speed:300°/s</i> |
| Tilt Range | <i>-15° ~ 90° (auto reverse)</i> |
| Tilt Speed | <i>0.1° ~ 160°/s</i> |
| | <i>Preset speed: 240°/s</i> |
| Number of Presets | <i>1024</i> |
| Patrol | <i>Preset patrol, route patrol, recorded patrol</i> |
| Home Position | <i>Supported</i> |
| Interface | |
| Audio I/O | <i>Audio cable</i> |
| | <i>1 Input: impedance 35kΩ; amplitude 2V [p-p]</i> |
| | <i>1 Output: impedance 600Ω; amplitude 2V [p-p]</i> |
| Alarm I/O | <i>2/1</i> |
| Serial Port | <i>1 RS485</i> |
| Network | <i>1 RJ45 10M/100M Base-TX Ethernet</i> |
| Video Output | <i>N/A</i> |
| General | |
| Power | <i>AC 24V±25%, DC 24V±25%, PoE (PSE required)</i> |
| | <i>Power consumption: 54W Max</i> |
| Dimensions (Ø x H) | <i>Ø 227 x 359.4mm (Ø 8.9" x 14.1")</i> |
| Weight | <i>5.6Kg (12.3lb)</i> |
| Working Environment | <i>-40°C ~ 65°C (-40°F ~ 149°F), Humidity: ≤95% RH (non-condensing)</i> |
| Ingress Resistant | <i>IP66</i> |
| Reset Button | <i>Supported</i> |

Dimensions



“Your Reliable Integrated Video Surveillance Solutions Provider”

Shenzhen Starlink Technology Co.,Ltd

1811, Block A, Zhantao Technology Building, Longhua District, Shenzhen, P.R.China 518131

Email: info@qixingtechnology.com; qixing@qixingtechnology.com

<https://www.qixingtechnology.com>

©2009-2018 Shenzhen Starlink Technology Co.,Ltd. All rights reserved.

*Product specifications and availability are subject to change without notice.