

4MP StarLight Vandal-resistant Network Fixed Dome Camera

BDTSecure324LEDSFK



Key Features



Optics

- **Day/night functionality**
- **Smart IR, up to 30m (98ft) IR distance**
- **Optical glass window with higher light transmittance**
- **IR anti-reflection window to increase the infrared transmittance**
- **2D/3D DNR (Digital Noise Reduction)**

Compression

- **Ultra 265, H.265, H.264, MJPEG**
- **ROI (Region of Interest)**

Network

- **ONVIF Conformance**

Structure

- **Wide temperature range: -30°C ~ 60°C (-22°F ~ 140°F)**
- **Wide voltage range of ±25%**
- **IK10 vandal resistant**
- **IP67**

Specifications

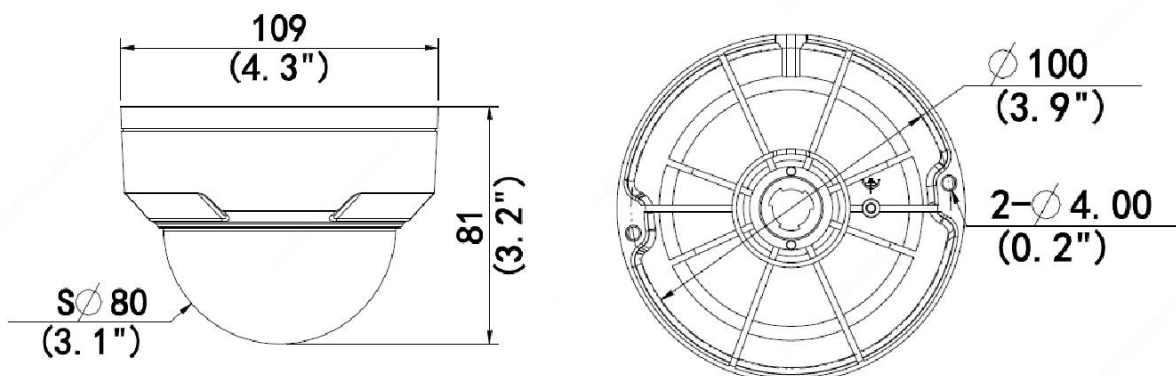
	BDTSecure324LEDSF28K			BDTSecure324LEDSF40K		
Camera						
Sensor	1/3", 4.0 megapixel, progressive scan, CMOS					
Lens	2.8mm@F1.6			4.0mm@F1.6		
DORI Distance	Lens (mm)	Detect (m)	Observe (m)	Recognize (m)	Identify (m)	
	2.8	63	25.2	12.6	6.3	
	4.0	90	36	18	9	
Angle of view (H)	105.3°			79.7°		
Angle of View (V)	57°			41.6°		
Angle of View (O)	136.9°			98.0°		
Adjustment angle	Pan: 0° ~ 360°		Tilt: 0° ~ 68°		Rotate: 0° ~ 360°	
Shutter	Auto/Manual, 1 ~ 1/100000s					
Minimum Illumination	Colour: 0.005Lux (F1.6, AGC ON) 0Lux with IR					
Day/Night	IR-cut filter with auto switch (ICR)					
Digital noise reduction	2D/3D DNR					
S/N	>52dB					
IR Range	Up to 30m (98ft) IR range					
Wavelength	850nm					
IR On/Off Control	Auto/Manual					
Defog	Digital Defog					
WDR	120db					
Video						
Video Compression	Ultra 265, H.265, H.264, MJPEG					
H.264 code profile	Baseline profile, Main Profile, High Profile					
Frame Rate	Main Stream: 4MP (2688*1520), Max 25fps; 4MP (2560*1440), Max 25fps; 3MP (2304*1296), Max 30fps; 2MP (1920*1080), Max 30fps; Sub Stream: 720P (1280*720), Max 25fps					
Video Bit Rate	128 Kbps~16 Mbps					
OSD	Up to 4 OSDs					
Privacy Mask	Up to 4 areas					
ROI	Up to 4 areas					
Motion Detection	Up to 4 areas					
Image						
White Balance	Auto/Outdoor/Fine Tune/Sodium Lamp/Locked/Auto2					
Digital noise reduction	2D/3D DNR					
Smart IR	Support					
Flip	Normal/Vertical/Horizontal/180°					
Dewarping	Support					
HLC	Supported					

BLC

Supported

Network	
Protocols	IPv4, IGMP, ICMP, ARP, TCP, UDP, DHCP, RTP, RTSP, RTCP, RTMP, DNS, DDNS, NTP, FTP, UPnP, HTTP, HTTPS, SMTP, SSL
Compatible Integration	ONVIF (Profile S, Profile G, Profile T), API
Client	EZStation EZView EZLive
Web Browser	Plug-in required live view: IE9+, Chrome 41 and below, Firefox 52 and below Plug-in free live view: Chrome 57.0+, Firefox 58.0+, Edge 16+, Safari 11+
Storage	
Edge Storage	Micro SD, up to 256 GB
Network Storage	ANR
Interface	
Network	10/100M Base-TX Ethernet
Certifications	
Certifications	CE: EN 60950-1 UL: UL60950-1 FCC: FCC Part 15
General	
Power	DC 12V±25%, PoE (IEEE 802.3af) Power consumption: Max 3.5W
Dimensions (Ø x H)	Φ109 x 81mm (Ø4.3" x 3.2")
Net Weight	0.49kg (1.08lb)
Material	Shield: PC Body: plastic Bottom plate: metal
Working Environment	-30°C ~ 60°C (-22°F ~ 140°F), Humidity: ≤95% RH (non-condensing)
Storage Environment	-30°C ~ 60°C (-22°F ~ 140°F), Humidity: ≤95% RH (non-condensing)
Surge Protection	2KV
Ingress Protection	IP67
Vandal Resistant	IK10

Dimensions



Accessories

TR-JB03-G-IN TR-JB07/WM03-G-IN TR-WM03-D-IN TR-UM06-E-IN TR-UP06-IN TR-A01-IN



TR-SE24-IN

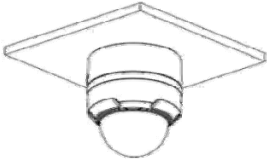
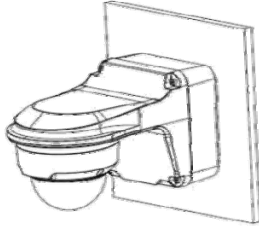
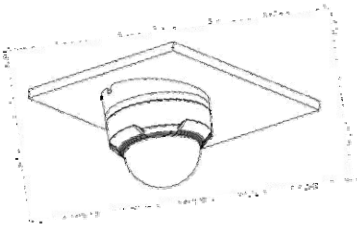
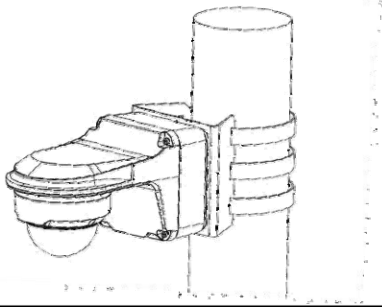


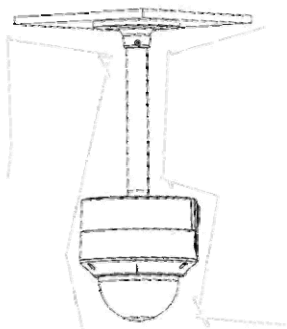
TR-SE24-A-IN



TR-CM24-IN



<i>Junction Mount</i>	<i>Pole Mount</i>
<p>TR-JB03-G-IN</p> 	<p>TR-JB07/WM03-G-IN</p> 
<p>TR-UM06-E-IN</p> 	<p>TR-JB07/WM03-G-IN+TR-UP06-IN</p> 
<p>TR-CM24-IN+TR-JB03-G-IN</p>	



“Your Reliable Integrated Video Surveillance Solutions Provider”

Shenzhen Starlink Technology Co.,Ltd

1811, Block A, Zhantao Technology Building, Longhua District, Shenzhen, P.R.China 518131

Email: info@qixingtechnology.com; qixing@qixingtechnology.com

<https://www.qixingtechnology.com>

©2009-2018 Shenzhen Starlink Technology Co.,Ltd. All rights reserved.

*Product specifications and availability are subject to change without notice.