

4MP EasyStar Fixed Dome Network Camera

BDTSecure3614LEADFK



Key Features



Optics

- **Day/night functionality**
- **Smart IR, up to 30m (98ft) IR distance**
- **Optical glass window with higher light transmittance**
- **IR anti-reflection window to increase the infrared transmittance**
- **2D/3D DNR (Digital Noise Reduction)**

Compression

- **Ultra 265, H.265, H.264, MJPEG**
- **ROI (Region of Interest)**

Network

- **ONVIF Conformance**

Structure

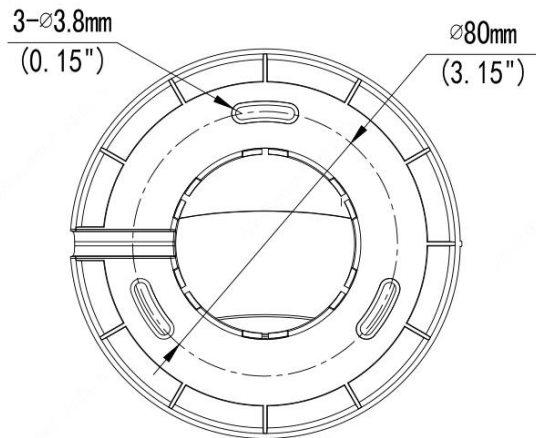
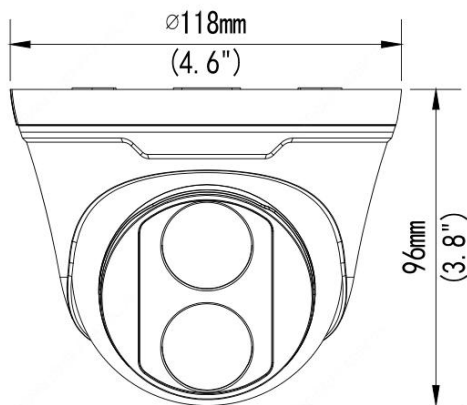
- **Wide temperature range: -30°C ~ 60°C (-22°F ~ 140°F)**
- **Wide voltage range of ±25%**
- **IP67**

Specifications

	BDTSecure3614LEADF28K			BDTSecure3614LEADF40K	
Camera					
Sensor	1/3", 4.0 megapixel, progressive scan, CMOS				
Lens	2.8mm@F1.6			4.0mm@F1.6	
DORI Distance	Lens (mm)	Detect (m)	Observe (m)	Recognize (m)	Identify (m)
	2.8	63	25.2	12.6	6.3
	4.0	90	36	18	9
Angle Of View (H)	105.3°			79.7°	
Angle Of View (V)	57°			41.6°	
Angle Of View (O)	136.9°			98.0°	
Adjustment angle	Pan: 0° ~ 360°		Tilt: 0° ~ 80°		Rotate: 0° ~ 360°
Shutter	Auto/Manual, 1 ~ 1/100000s				
Minimum Illumination	Colour: 0.005Lux (F1.6, AGC ON) 0Lux with IR				
Day/Night	IR-cut filter with auto switch (ICR)				
Digital noise reduction	2D/3D DNR				
S/N	>52dB				
IR Range	Up to 30m (98ft) IR range				
Wavelength	850nm				
IR On/Off Control	Auto/Manual				
Defog	Digital Defog				
WDR	120db				
Video					
Video Compression	Ultra 265, H.265, H.264, MJPEG				
H.264 Code Profile	Baseline profile, Main Profile, High Profile				
Frame Rate	Main Stream: 4MP (2688*1520), Max 25fps; 4MP (2560*1440), Max 25fps; 3MP (2304*1296), Max 30fps; 2MP (1920*1080), Max 30fps; Sub Stream: 720P (1280*720), Max 25fps				
Video Bit Rate	128 Kbps~16 Mbps				
OSD	Up to 4 OSDs				
Privacy Mask	Up to 4 areas				
ROI	Up to 4 areas				
Motion Detection	Up to 4 areas				
Image					
White Balance	Auto/Outdoor/Fine Tune/Sodium Lamp/Locked/Auto2				
Digital noise reduction	2D/3D DNR				
Smart IR	Support				
Flip	Normal/Vertical/Horizontal/180°				
Dewarping	Support				
HLC	Supported				
BLC	Supported				

Network	
Protocols	<i>IPv4, IGMP, ICMP, ARP, TCP, UDP, DHCP, RTP, RTSP, RTCP, RTMP, DNS, DDNS, NTP, FTP, UPnP, HTTP, HTTPS, SMTP, SSL</i>
Compatible Integration	<i>ONVIF (Profile S, Profile G, Profile T), API</i>
Client	<i>EZStation EZView EZLive</i>
Web Browser	<i>Plug-in required live view: IE9+, Chrome 41 and below, Firefox 52 and below</i>
	<i>Plug-in free live view: Chrome 57.0+, Firefox 58.0+, Edge 16+, Safari 11+</i>
Audio	
Audio Compression	<i>G.711</i>
Suppression	<i>Supported</i>
Sampling Rate	<i>8KHZ</i>
Storage	
Edge Storage	<i>Micro SD, up to 256 GB</i>
Network Storage	<i>ANR</i>
Interface	
Network	<i>10/100M Base-TX Ethernet</i>
Built-in Mic	<i>Supported</i>
Certifications	
Certifications	<i>CE: EN 60950-1 UL: UL60950-1 FCC: FCC Part 15</i>
General	
Power	<i>DC 12V±25%, PoE (IEEE 802.3af)</i>
	<i>Power consumption: Max 3W</i>
Dimensions (Ø x H)	<i>Φ118 x 96mm (Φ4.6" x 3.8")</i>
Net Weight	<i>0.35kg (0.77lb)</i>
Material	<i>Front cover: metal Rear cover: plastic Bracket: plastic Bottom plate: metal</i>
Working Environment	<i>-30°C ~ 60°C (-22°F ~ 140°F), Humidity: ≤95% RH (non-condensing)</i>
Storage Environment	<i>-30°C ~ 60°C (-22°F ~ 140°F), Humidity: ≤95% RH (non-condensing)</i>
Surge Protection	<i>2KV</i>
Ingress Protection	<i>IP67</i>

Dimensions



Accessories

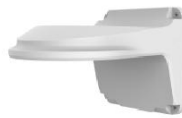
TR-JB03-I-IN



TR-JB07/WM03-G-IN



TR-WM03-D-IN



TR-UP06-IN



TR-A01-IN



TR-SE24-IN



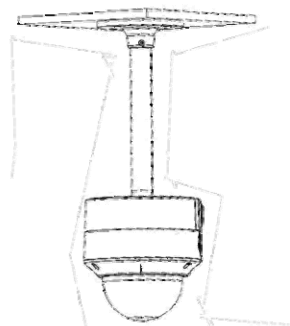
TR-SE24-A-IN



TR-CM24-IN



Junction Mount	Pole Mount
TR-JB03-I-IN	TR-JB07/WM03-G-IN(TR-WM03-D-IN)+TR-UP06-IN
TR-CM24-IN+TR-JB03-I-IN	



“Your Reliable Integrated Video Surveillance Solutions Provider”

Shenzhen Starlink Technology Co.,Ltd

1811, Block A, Zhantao Technology Building, Longhua District, Shenzhen, P.R.China 518131

Email: info@qixingtechnology.com; qixing@qixingtechnology.com

<https://www.qixingtechnology.com>

©2009-2018 Shenzhen Starlink Technology Co.,Ltd. All rights reserved.

*Product specifications and availability are subject to change without notice.