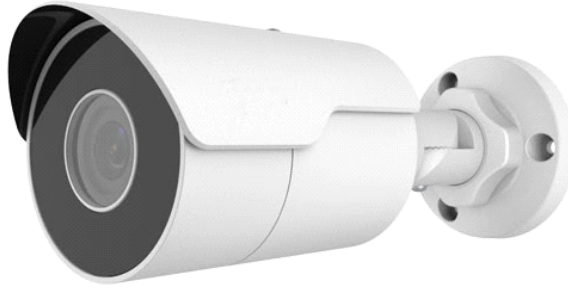


4MP EasyStar Mini Fixed Bullet Network Camera

BDTSecure2124LR5UPFM



Key Features



Optics

- **Day/night functionality**
- **Smart IR, up to 50m (164ft) IR distance**
- **Optical glass window with higher light transmittance**
- **IR anti-reflection window to increase the infrared transmittance**
- **2D/3D DNR (Digital Noise Reduction)**

Compression

- **Ultra 265, H.265, H.264, MJPEG**
- **ROI (Region of Interest)**

Network

- **ONVIF Conformance**

Structure

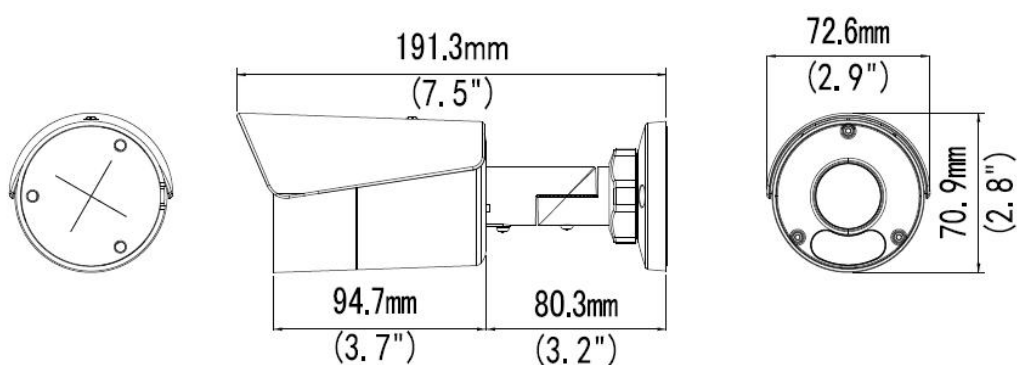
- **Wide temperature range: -30°C ~ 60°C (-22°F ~ 140°F)**
- **Wide voltage range of ±25%**
- **IP67**

Specifications

	BDTSecure2124LR5UPF28M	BDTSecure2124LR5UPF40M			
Camera					
Sensor	1/3", 4.0 megapixel, progressive scan, CMOS				
Lens	2.8mm@F1.6		4.0mm@F1.6		
DORI Distance	Lens (mm)	Detect (m)	Observe (m)	Recognize (m)	Identify (m)
	2.8	63	25.2	12.6	6.3
	4.0	90	36	18	9
Angle Of View (H)	105.3°		79.7°		
Angle Of View (V)	57°		41.6°		
Angle Of View (O)	136.9°		98.0°		
Adjustment Angle	Pan: 0° ~ 360°		Tilt: 0° ~ 90°		Rotate: 0° ~ 360°
Shutter	Auto/Manual, 1 ~ 1/100000s				
Minimum Illumination	Colour: 0.005Lux (F1.6, AGC ON) 0Lux with IR				
Day/Night	IR-cut filter with auto switch (ICR)				
Digital Noise Reduction	2D/3D DNR				
S/N	>52dB				
IR Range	Up to 50m (164ft) IR range				
Wavelength	850nm				
IR On/Off Control	Auto/Manual				
Defog	Digital Defog				
WDR	120db				
Video					
Video Compression	Ultra 265, H.265, H.264, MJPEG				
H.264 Code Profile	Baseline profile, Main Profile, High Profile				
Frame Rate	Main Stream: 4MP (2688*1520), Max 25fps; Sub Stream: 720P (1280*720), Max 25fps				
Video Bit Rate	128 Kbps~16 Mbps				
OSD	Up to 4 OSDs				
Privacy Mask	Up to 4 areas				
ROI	Up to 4 areas				
Motion Detection	Up to 4 areas				
Image					
White Balance	Auto/Outdoor/Fine Tune/Sodium Lamp/Locked/Auto2				
Digital noise reduction	2D/3D DNR				
Smart IR	Support				
Flip	Normal/Vertical/Horizontal/180°				
Dewarping	Support				
HLC	Supported				
BLC	Supported				

Network	
Protocols	IPv4, IGMP, ICMP, ARP, TCP, UDP, DHCP, RTP, RTSP, RTCP, RTMP, DNS, DDNS, NTP, FTP, UPnP, HTTP, HTTPS, SMTP, SSL
Compatible Integration	ONVIF (Profile S, Profile T), API
Client	EZStation EZView EZLive
Web Browser	Plug-in required live view: IE9+, Chrome 41 and below, Firefox 52 and below
	Plug-in free live view: Chrome 57.0+, Firefox 58.0+, Edge 16+, Safari 11+
Interface	
Network	10/100M Base-TX Ethernet
Certifications	
Certifications	CE: EN 60950-1 UL: UL60950-1 FCC: FCC Part 15
General	
Power	DC 12V±25%, PoE (IEEE 802.3af)
	Power consumption: Max 6W
Dimensions(L × W × H)	191.3×72.6×70.9mm (7.5"×2.9"×2.8")
Net Weight	0.5kg (1.1lb)
Material	Metal
Working Environment	-30°C ~ 60°C (-22°F ~ 140°F), Humidity: ≤95% RH (non-condensing)
Storage Environment	-30°C ~ 60°C (-22°F ~ 140°F), Humidity: ≤95% RH (non-condensing)
Surge Protection	2KV
Ingress Protection	IP67

Dimensions



Accessories

TR-JB06-IN



TR-JB05-B-IN

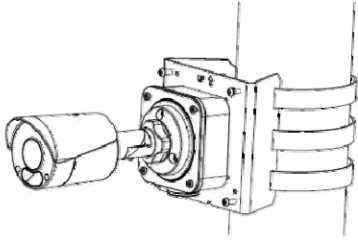
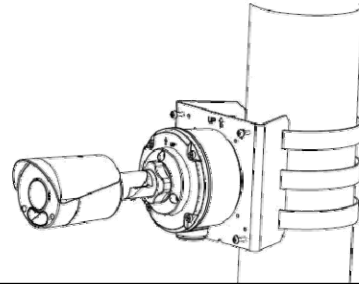


TR-UP06-C-IN



TR-A01-IN



*Pole Mount**TR-JB06-IN+ TR-UP06-C-IN**TR-JB05-B-IN+ TR-UP06-C-IN*

“Your Reliable Integrated Video Surveillance Solutions Provider”

Shenzhen Starlink Technology Co.,Ltd

1811, Block A, Zhantao Technology Building, Longhua District, Shenzhen, P.R.China 518131

Email: info@qixingtechnology.com; qixing@qixingtechnology.com

<https://www.qixingtechnology.com>

©2009-2018 Shenzhen Starlink Technology Co.,Ltd. All rights reserved.

*Product specifications and availability are subject to change without notice.