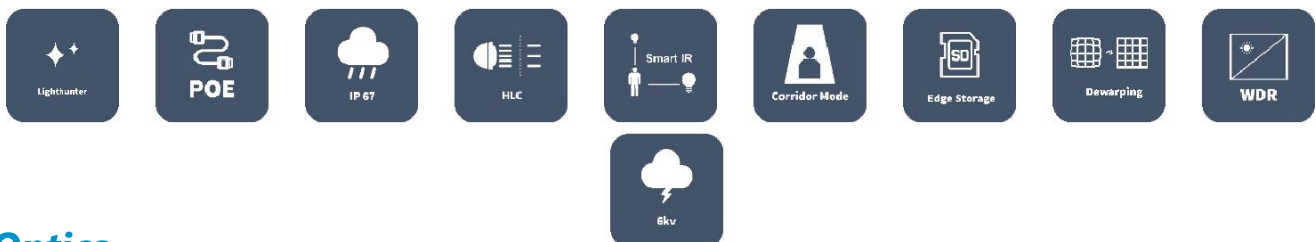


2MP LightHunter Bullet Network Camera

BDTSecure2A22SADZK



Key Features



Optics

- **Day/night functionality**
- **Smart IR, up to 50 m (164ft) IR distance**
- **Up to 120dB Optical WDR (Wide Dynamic Range)**
- **LightHunter**
- **2D/3D DNR (Digital Noise Reduction)**

Compression

- **Ultra 265, H.265, H.264, MJPEG**
- **Triple streams**
- **ROI (Region of Interest)**
- **9:16 corridor mode**

Network

- **ONVIF Conformance**

Structure

- **Support PoE power supply**

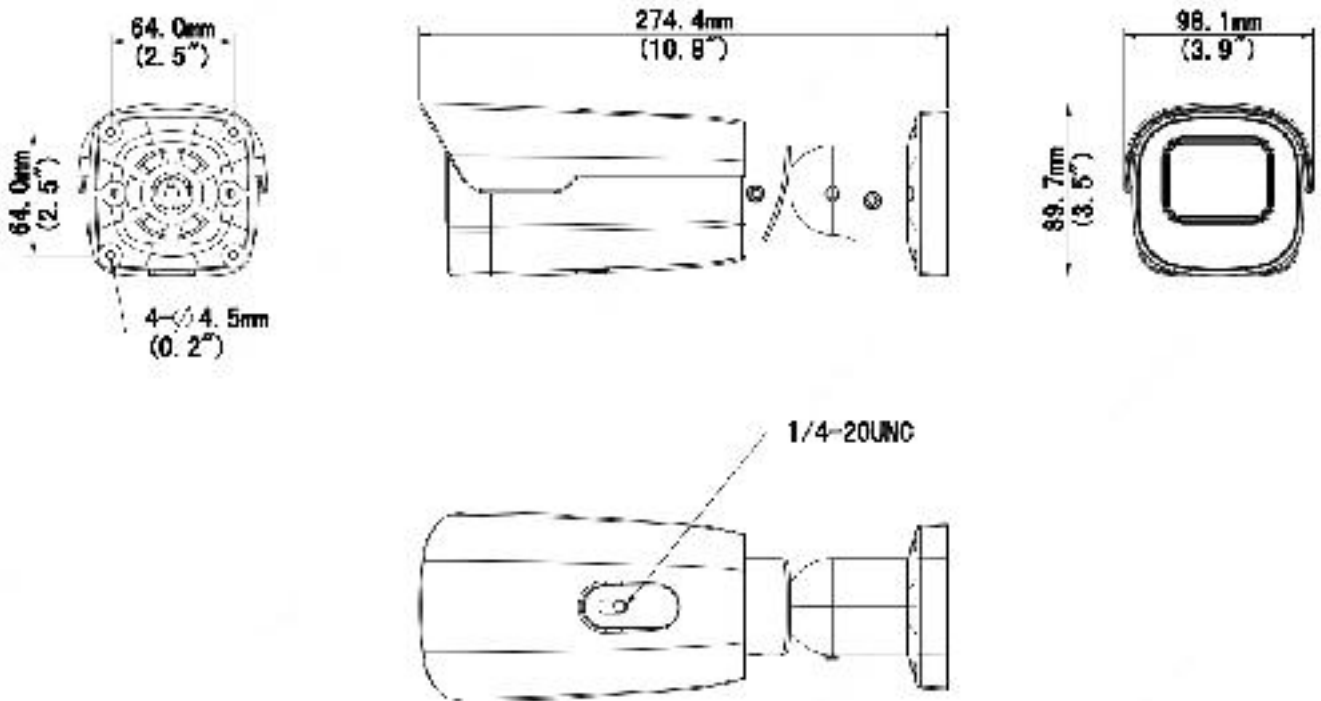
- **Wide temperature range: -30°C ~ 60°C (-22°F ~ 140°F)**
- **Wide voltage range of ±25%**
- **IK10 vandal resistant**
- **IP67**

Specifications

| BDTSecure2A22SADZK | | | | | |
|--------------------------------|--|-------------------|--------------------|----------------------|---------------------|
| Camera | | | | | |
| Sensor | 1/2.7", 2.0 megapixel, progressive scan, CMOS | | | | |
| Lens | 2.7 ~ 13.5mm, AF automatic focusing and motorized zoom lens | | | | |
| DORI Distance | Lens (mm) | Detect (m) | Observe (m) | Recognize (m) | Identify (m) |
| | 2.7 | 40.5 | 16.2 | 8.1 | 4.1 |
| | 13.5 | 202.5 | 81 | 40.5 | 20.3 |
| Angle of View (H) | 114° ~ 31.8° | | | | |
| Angle of View (O) | 58.9° ~ 17.6° | | | | |
| Adjustment angle | 148.2° ~ 37.5° | | | | |
| Adjustment Range | Pan: 0°~360° | | Tilt: 0° ~ 80° | | Rotate: 0° ~ 360° |
| Shutter | Auto/Manual, 1 ~ 1/100000s | | | | |
| Minimum Illumination | Colour:0.001Lux (F1.35, AGC ON) 0Lux with IR | | | | |
| Day/Night | IR-cut filter with auto switch (ICR) | | | | |
| S/N | >52dB | | | | |
| IR Range | Up to 50m (164ft) IR range | | | | |
| wavelength | 850nm | | | | |
| IR On/Off Control | Auto/Manual | | | | |
| Defog | Digital Defog | | | | |
| WDR | 120dB | | | | |
| Video | | | | | |
| Video Compression | Ultra 265 ,H.265, H.264, MJPEG | | | | |
| H.264 code profile | Baseline profile, Main Profile, High Profile | | | | |
| Frame Rate | Main Stream: 2MP (1920*1080), Max 30fps; Sub Stream: D1 (720*576), Max 30fps; Third Stream: CIF (352*288), Max 30fps | | | | |
| Video Bit Rate | 128 Kbps~16 Mbps | | | | |
| 9:16 Corridor Mode | Supported | | | | |
| OSD | Up to 8 OSDs | | | | |
| Privacy Mask | Up to 8 areas | | | | |
| ROI | Up to 8 areas | | | | |
| Motion Detection | Up to 4 areas | | | | |
| Image | | | | | |
| White Balance | Auto/Outdoor/Fine Tune/Sodium Lamp/Locked/Auto2 | | | | |
| Digital noise reduction | 2D/3D DNR | | | | |

| | |
|-------------------------------|--|
| Smart IR | Support |
| Flip | Normal/Vertical/Horizontal/180°/90°Clockwise/90°Anti-clockwise |
| Dewarping | Support |
| HLC | Support |
| BLC | Support |
| Audio | |
| Audio Compression | G.711 |
| Two-way audio | Supported |
| Suppression | Supported |
| Sampling Rate | 8KHZ |
| Storage | |
| Edge Storage | Micro SD, up to 256GB |
| Network Storage | ANR, NAS(NFS) |
| Network | |
| Protocols | IPv4, IGMP, ICMP, ARP, TCP, UDP, DHCP, PPPoE, RTP, RTSP, RTCP, DNS, DDNS, NTP, FTP, UPnP, HTTP, HTTPS, SMTP, 802.1x, SNMP, QoS |
| Compatible Integration | ONVIF (Profile S, Profile G, Profile T), API |
| Client | EZStation EZView EZLive |
| Web Browser | Plug-in required live view: IE9+, Chrome 41 and below, Firefox 52 and below Plug-in free live view: Chrome 57.0+, Firefox 58.0+, Edge 16+, Safari 11+ |
| Interface | |
| Audio I/O | Audio cable Input: impedance 35kΩ; amplitude 2V [p-p] Output: impedance 600Ω; amplitude 2V [p-p] |
| Alarm I/O | 1/1 |
| Network | 1 RJ45 10M/100M Base-TX Ethernet |
| Certifications | |
| Certifications | CE: EN 60950-1 UL: UL60950-1 FCC: FCC Part 15 |
| General | |
| Power | DC 12V±25%, PoE (IEEE 802.3af) Power consumption: Max 8.5W |
| Dimensions (Ø x H) | 274.4×98.1×89.7mm (10.8"×3.9"×3.5") |
| Net Weight | 1.14kg (2.51lb) |
| Material | metal |
| Working Environment | -30°C ~ 60°C (-22°F ~ 140°F), Humidity: ≤95% RH (non-condensing) |
| Storage Environment | -30°C ~ 60°C (-22°F ~ 140°F), Humidity: ≤95% RH (non-condensing) |
| surge protection | 6KV |
| Ingress Protection | IP67 |
| Vandal Resistant | IK10 |
| Reset Button | Supported |

Dimensions



Accessories

TR-JB07-D-IN



TR-JB06-A-IN



TR-UP06-B-IN



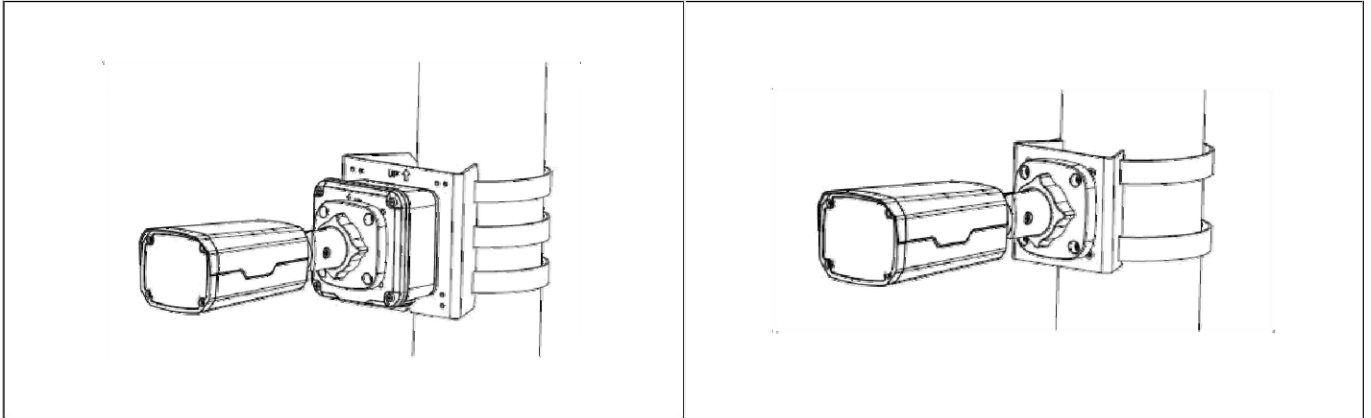
TR-UP06-C-IN



TR-A01-IN



| Junction Mount | Pole Mount |
|---|--------------|
| TR-JB07-D-IN(TR-JB06-A-IN) + TR-UP06-C-IN | TR-UP06-B-IN |



“Reliable Integrated Video Surveillance Solutions Provider”

Shenzhen Starlink Technology Co.,Ltd

No.1079, Minzhi Street, Longhua District, Shenzhen, P.R.China 518131

Email: info@qixingtechnology.com; qixing@qixingtechnology.com

<https://www.qixingtechnology.com>

©2009-2018 Shenzhen Starlink Technology Co.,Ltd. All rights reserved.

*Product specifications and availability are subject to change without notice.