

# 2MP LightHunter VF Eyeball Network IR Camera

**BDTSecure3632SADZK**



## Key Features



## Optics

- **Day/night functionality**
- **Smart IR, up to 40 m (131ft) IR distance**
- **Up to 120dB Optical WDR (Wide Dynamic Range)**
- **LightHunter**
- **2D/3D DNR (Digital Noise Reduction)**

## Compression

- **Ultra 265, H.265, H.264, MJPEG**
- **Triple streams**
- **ROI (Region of Interest)**
- **9:16 corridor mode**

## Network

- **ONVIF Conformance**

## Structure

- Support PoE power supply
- Wide temperature range: -30°C ~ 60°C (-22°F ~ 140°F)
- Wide voltage range of ±25%
- IK10 vandal resistant
- IP67

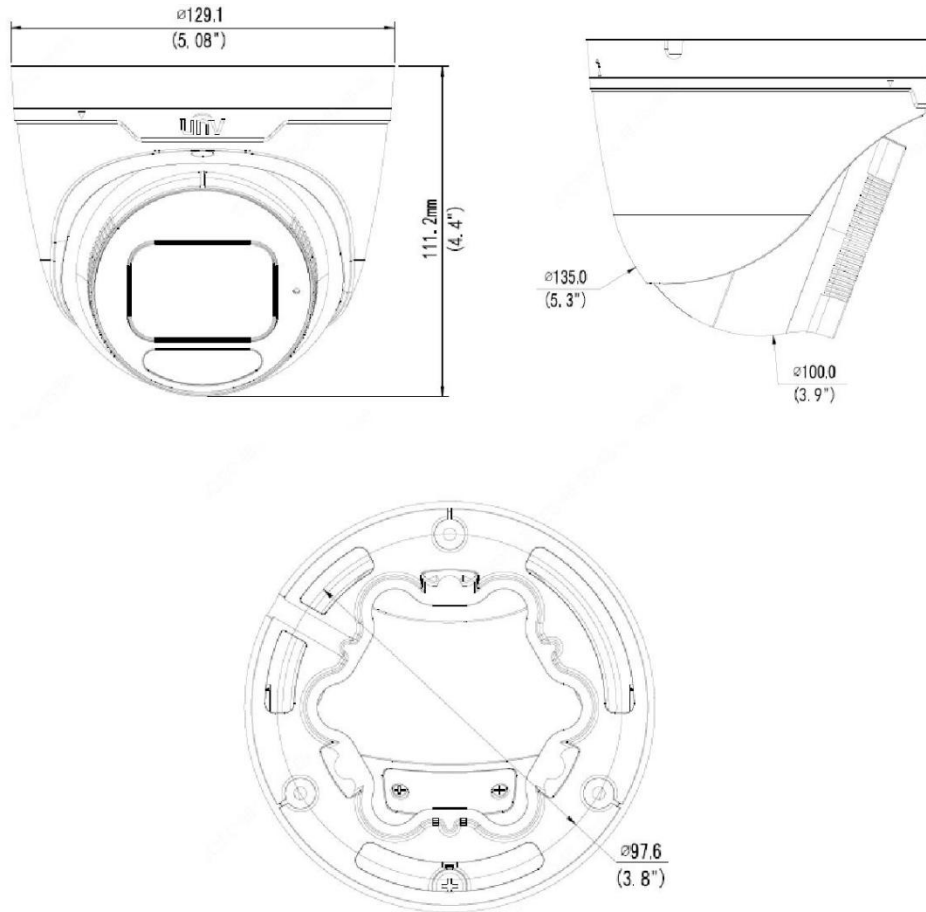
## Specifications

<b>Camera</b>	<b>BDTSecure3632SADZK</b>				
<b>Sensor</b>	1/2.7", 2.0 megapixel, progressive scan, CMOS				
<b>Lens</b>	2.7 ~ 13.5mm, AF automatic focusing and motorized zoom lens				
<b>DORI Distance</b>	<b>Lens (mm)</b>	<b>Detect (m)</b>	<b>Observe (m)</b>	<b>Recognize (m)</b>	<b>Identify (m)</b>
	2.7	40.5	16.2	8.1	4.1
	13.5	202.5	81	40.5	20.3
<b>Angle of View (H)</b>	114° ~ 31.8°				
<b>Angle of View (O)</b>	58.9° ~ 17.6°				
<b>Adjustment angle</b>	148.2° ~ 37.5°				
<b>Adjustment Range</b>	Pan: 0°~360°		Tilt: 0° ~ 75°		Rotate: 0° ~ 360°
<b>Shutter</b>	Auto/Manual, 1 ~ 1/100000s				
<b>Minimum Illumination</b>	Colour:0.001Lux (F1.35, AGC ON) 0Lux with IR				
<b>Day/Night</b>	IR-cut filter with auto switch (ICR)				
<b>S/N</b>	>52dB				
<b>IR Range</b>	Up to40m (131ft) IR range				
<b>wavelength</b>	850nm				
<b>IR On/Off Control</b>	Auto/Manual				
<b>Defog</b>	Digital Defog				
<b>WDR</b>	120dB				
<b>Video</b>					
<b>Video Compression</b>	Ultra 265 ,H.265, H.264, MJPEG				
<b>H.264 code profile</b>	Baseline profile, Main Profile, High Profile				
<b>Frame Rate</b>	Main Stream: 2MP (1920*1080), Max 30fps; Sub Stream: D1 (720*576), Max 30fps; Third Stream: CIF (352*288), Max 30fps				
<b>Video Bit Rate</b>	128 Kbps~16 Mbps				
<b>9:16 Corridor Mode</b>	Supported				
<b>OSD</b>	Up to 8 OSDs				
<b>Privacy Mask</b>	Up to 8 areas				
<b>ROI</b>	Up to 8 areas				
<b>Motion Detection</b>	Up to 4 areas				

<b>Image</b>	
<b>White Balance</b>	<i>Auto/Outdoor/Fine Tune/Sodium Lamp/Locked/Auto2</i>
<b>Digital noise reduction</b>	<i>2D/3D DNR</i>
<b>Smart IR</b>	<i>Support</i>
<b>Flip</b>	<i>Normal/Vertical/Horizontal/180°/90°Clockwise/90°Anti-clockwise</i>
<b>Dewarping</b>	<i>Support</i>
<b>HLC</b>	<i>Support</i>
<b>BLC</b>	<i>Support</i>
<b>Audio</b>	
<b>Audio Compression</b>	<i>G.711</i>
<b>Two-way audio</b>	<i>Supported</i>
<b>Suppression</b>	<i>Supported</i>
<b>Sampling Rate</b>	<i>8KHZ</i>
<b>Storage</b>	
<b>Edge Storage</b>	<i>Micro SD, up to 256GB</i>
<b>Network Storage</b>	<i>ANR, NAS(NFS)</i>
<b>Network</b>	
<b>Protocols</b>	<i>IPv4, IGMP, ICMP, ARP, TCP, UDP, DHCP, PPPoE, RTP, RTSP, RTCP, DNS, DDNS, NTP, FTP, UPnP, HTTP, HTTPS, SMTP, 802.1x, SNMP,QoS</i>
<b>Compatible Integration</b>	<i>ONVIF (Profile S, Profile G, Profile T), API</i>
<b>Client</b>	<i>EZStation EZView EZLive</i>
<b>Web Browser</b>	<i>Plug-in required live view: IE9+, Chrome 41 and below, Firefox 52 and below Plug-in free live view: Chrome 57.0+, Firefox 58.0+, Edge 16+, Safari 11+</i>
<b>Interface</b>	
<b>Audio I/O</b>	<i>Audio cable Input: impedance 35kΩ; amplitude 2V [p-p] Output: impedance 600Ω; amplitude 2V [p-p]</i>
<b>Alarm I/O</b>	<i>1/1</i>
<b>Network</b>	<i>1 RJ45 10M/100M Base-TX Ethernet</i>
<b>Built-in Mic</b>	<i>Supported</i>
<b>Certifications</b>	
<b>Certifications</b>	<i>CE: EN 60950-1 UL: UL60950-1 FCC: FCC Part 15</i>
<b>General</b>	
<b>Power</b>	<i>DC 12V±25%, PoE (IEEE 802.3af) Power consumption: Max 7.8W</i>
<b>Dimensions (Ø x H)</b>	<i>Φ129.1 x 111.2mm (Ø5.1" x 4.4")</i>
<b>Net Weight</b>	<i>0.70kg (1.54lb)</i>
<b>Material</b>	<i>Metal</i>
<b>Working Environment</b>	<i>-30°C ~ 60°C (-22°F ~ 140°F), Humidity: ≤95% RH (non-condensing)</i>
<b>Storage Environment</b>	<i>-30°C ~ 60°C (-22°F ~ 140°F), Humidity: ≤95% RH (non-condensing)</i>

<b>surge protection</b>	<b>6KV</b>
<b>Ingress Protection</b>	<b>IP67</b>
<b>Vandal Resistant</b>	<b>IK10</b>
<b>Reset Button</b>	<b>Supported</b>

## Dimensions



## Accessories

TR-JB03-H-IN



TR-JB07/WM03-F-IN



TR-WM03-B-IN



TR-A01-IN



TR-UP06-IN



TR-SE24-IN



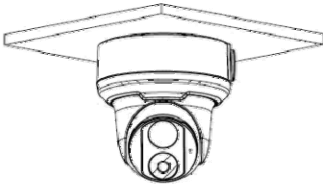
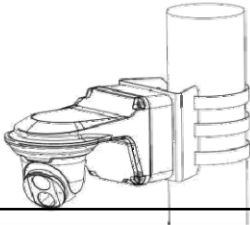
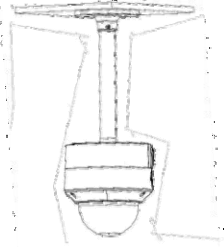
TR-SE24-A-IN



TR-CM24-IN





<i>Junction box</i>	<i>Pole mount</i>
<p><b>TR-JB03-H-IN+TR-A01-IN</b></p>	<p><b>TR-JB07/WM03-F-IN (TR-WM03-B-IN) + TR-UP06-IN</b></p>
	
<i>Indoor pendent mount</i>	
<p><b>TR-JB04-D-IN+TR-A01-IN+ TR-SE24-IN(TR-SE24-A-IN)+ TR-CM24-IN</b></p>	
	

**“Reliable Integrated Video Surveillance Solutions Provider”**

**Shenzhen Starlink Technology Co.,Ltd**

No.1079, Minzhi Street, Longhua District, Shenzhen, P.R.China 518131

Email: info@qixingtechnology.com; qixing@qixingtechnology.com

https://www.qixingtechnology.com

©2009-2018 Shenzhen Starlink Technology Co.,Ltd. All rights reserved.

\*Product specifications and availability are subject to change without notice.