

# 4MP LightHunter Deep Learning Vandal-resistant Dome Network Camera

**BDTSecure3534SADFK**



## Key Features



## Optics

- **1/1.8"**, Powered by **lighthunter**
- **Smart IR**, up to **40m (131 ft)** IR distance
- **Up to 120 dB Optical WDR (Wide Dynamic Range)**

## Compression

- **Ultra 265, H.265, H.264, MJPEG**
- **Triple streams**
- **2688\*1520@30fps** in the main stream
- **ROI (Region of Interest)**

## Network

- **ONVIF Conformance**

## Structure

- **DC12V or PoE power supply**
- **Wide voltage range of  $\pm 25\%$  in DC**
- **Micro SD, up to 256 GB**
- **Alarm 1 in and 1 out, Audio 1 in and 1 out**

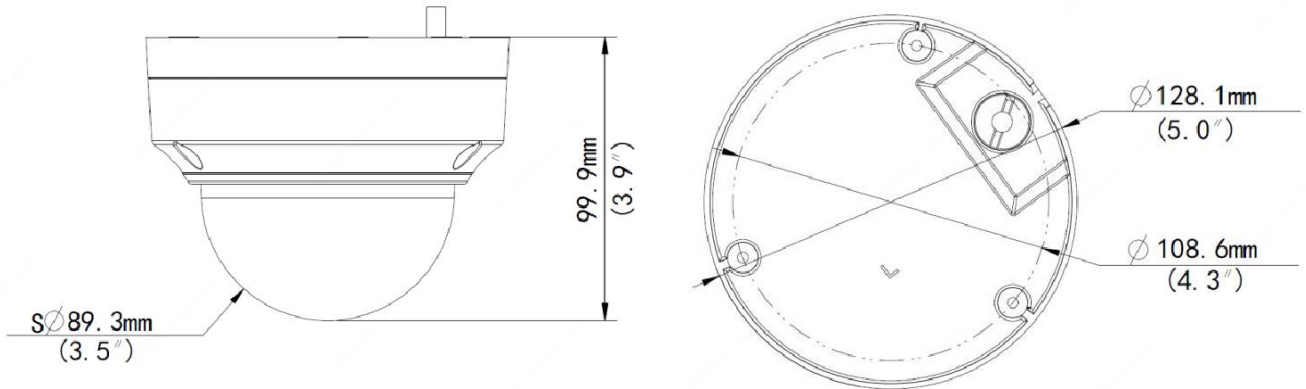
- IP67 ingress protection
- IK10 vandal resistant

## Specifications

	BDTSecure3534SADF28K		BDTSecure3534SADF40K		
<b>Camera</b>					
<b>Sensor</b>	1/1.8", 4.0 megapixel, progressive scan, CMOS				
<b>Lens</b>	2.8mm@F1.6		4.0mm@F1.6		
<b>Iris</b>	Fixed				
<b>DORI Distance</b>	<b>Lens (mm)</b>	<b>Detect (m)</b>	<b>Observe (m)</b>	<b>Recognize (m)</b>	<b>Identify (m)</b>
	2.8	42.0(137.8ft)	16.8(55.1ft)	8.4(27.6ft)	4.2(13.8ft)
	4.0	60.0(196.9ft)	24.0(78.7ft)	12.0(39.4ft)	6.0(19.7ft)
<b>Angle of View (H)</b>	103.8°		94.7°		
<b>Angle of View (V)</b>	57°		49.6°		
<b>Angle of View (O)</b>	134.9°		116.5°		
<b>Shutter</b>	Auto/Manual, 1 ~ 1/100000s				
<b>Adjustment angle</b>	Pan: 0°~355°		Tilt: 0°~70°	Rotate: 0°~355°	
<b>Min. Illumination</b>	Colour:0.001lux (F1.6, AGC ON) 0 lux with IR				
<b>WDR</b>	120dB				
<b>Day/Night</b>	IR-cut filter with auto switch (ICR)				
<b>IR Range</b>	Up to 40m (131 ft) IR range				
<b>Wavelength</b>	850nm				
<b>IR On/Off Control</b>	Auto/Manual				
<b>Defog</b>	Digital Defog				
<b>Video</b>					
<b>Video Compression</b>	Ultra 265, H.265, H.264, MJPEG				
<b>Frame Rate</b>	Main Stream: 4MP(2688*1520),Max 30fps; Sub Stream: 2MP (1920*1080), Max 30fps; Third Stream: D1 (720*576), Max 30fps				
<b>Video Bit Rate</b>	128 Kbps~16 Mbps				
<b>ROI</b>	Supported				
<b>Video stream</b>	Triple streams				
<b>OSD</b>	Up to 8 OSDs				
<b>Privacy Mask</b>	Up to 8 areas(8 blacks/4 mosaics+4 blacks)				
<b>Image</b>					
<b>White Balance</b>	Auto/Outdoor/Fine Tune/Sodium Lamp/Locked/Auto2				
<b>Digital noise reduction</b>	2D/3D DNR				
<b>Smart IR</b>	Support				
<b>Flip</b>	Normal/Flip Vertical/Flip Horizontal/180°/90°Clockwise/90°Anti-clockwise				
<b>HLC</b>	Support				
<b>BLC</b>	Support				
<b>Smart</b>					
<b>General Function</b>	Watermark, IP Address Filtering, Tampering Alarm, Alarm input, Alarm output, Access Policy, ARP Protection, RTSP Authentication, User Authentication				
<b>Audio</b>					

<b>Audio Compression</b>	G.711U,G.711A
<b>Two-way Audio</b>	Supported
<b>Suppression</b>	Supported
<b>Sampling Rate</b>	8KHZ
<b>Storage</b>	
<b>Edge Storage</b>	Micro SD, up to 256 GB
<b>Network Storage</b>	ANR,NAS(NFS)
<b>Network</b>	
<b>Protocols</b>	IPv4, IGMP, ICMP, ARP, TCP, UDP, DHCP, PPPoE, RTP, RTSP, RTCP, DNS, DDNS, NTP, FTP, UPnP, HTTP, HTTPS, SMTP, 802.1x, SNMP, QoS, RTMP
<b>Compatible Integration</b>	ONVIF (Profile S, Profile G, Profile T), API
<b>Client</b>	EZStation EZLive Ezview
<b>Web Browser</b>	Plug-in required live view: IE9+, Chrome 41 and below, Firefox 52 and below
<b>Interface</b>	
<b>Audio I/O</b>	Audio cable 1 Input: impedance 35kΩ; amplitude 2V *p-p] 1 output: impedance 600Ω; amplitude 2V *p-p]
<b>Alarm I/O</b>	1/1
<b>Network</b>	1 * RJ45 10M/100M Base-TX Ethernet
<b>Certification</b>	
<b>Certifications</b>	CE: EN 60950-1 UL: UL 60950-1 FCC: FCC Part 15
<b>General</b>	
<b>Power</b>	DC12V(±25%), PoE(IEEE 802.3af) Power consumption: Max 8.3W Support overcurrent protection, Input short circuit protection
<b>Dimensions (Ø x H)</b>	Φ128.1 x 99.9mm(Φ5.04'' x 3.93'')
<b>Weight</b>	0.59kg(1.3lb)
<b>Working Environment</b>	-40℃~60℃(-40°F ~ 140°F), ≤95%RH
<b>Storage Environment</b>	-40℃~70℃(-40°F ~ 158°F), ≤95%RH
<b>Surge protection</b>	6KV
<b>Vandal Resistant</b>	IK10
<b>Ingress Protection</b>	IP67

## Dimensions



## Accessories

TR-JB03-H-IN



TR-JB07/WM03-F-IN



TR-WM03-B-IN


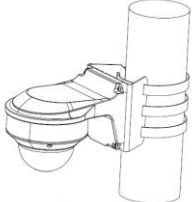


TR-A01-IN



TR-UP06-IN



Junction Mount	Pole Mount
TR-JB03-H-IN + TR-A01-IN	TR-JB07/WM03-F-IN、TR-WM03-B-IN + TR-UP06-IN
	



“Reliable Integrated Video Surveillance Solutions Provider”

Shenzhen Starlink Technology Co.,Ltd

No.1079, Minzhi Street, Longhua District, Shenzhen, P.R.China 518131

Email: info@qixingtechnology.com; qixing@qixingtechnology.com

https://www.qixingtechnology.com

©2009-2018 Shenzhen Starlink Technology Co.,Ltd. All rights reserved.

\*Product specifications and availability are subject to change without notice.