

# 5MP LightHunter Deep Learning Vandal-resistant Dome Network Camera

**BDTSecure3235SADZK**



## Key Features



## Optics

- **1/2.7"**, Powered by **lighthunter**
- **Smart IR**, up to **40m (131 ft)** IR distance
- **Up to 120 dB Optical WDR (Wide Dynamic Range)**

## Compression

- **Ultra 265, H.265, H.264, MJPEG**
- **Triple streams**
- **2592\*1944@20fps in the main stream**
- **ROI (Region of Interest)**

## Network

- **ONVIF Conformance**

## Structure

- **Built-in Mic**
- **Built-in Speaker**

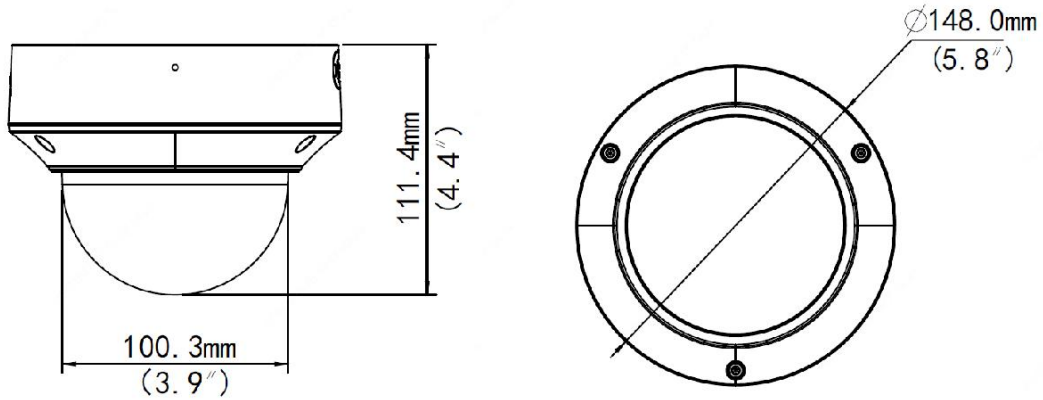
- DC12V or PoE power supply
- Wide voltage range of  $\pm 25\%$  in DC
- Micro SD, up to 256 GB
- Alarm 1 in and 1 out, Audio 1 in and 1 out
- IP67 ingress protection
- IK10 vandal resistant

## Specifications

BDTSecure3235SADZK					
<b>Camera</b>					
<b>Sensor</b>	1/2.7", 5.0 megapixel, progressive scan, CMOS				
<b>Lens</b>	2.7~13.5mm@F1.2, AF automatic focusing and motorized zoom lens				
<b>Iris</b>	Auto aperture				
<b>DORI Distance</b>	<b>Lens (mm)</b>	<b>Detect (m)</b>	<b>Observe (m)</b>	<b>Recognize (m)</b>	<b>Identify (m)</b>
	2.7	70.9(232.5ft)	28.4(93.0ft)	14.2(46.5ft)	7.1(23.3ft)
	13.5	247.5(812.0ft)	99.0(324.8ft)	49.5(162.4ft)	24.8(81.2ft)
<b>Angle of View (H)</b>	26.8°~93.1°				
<b>Angle of View (V)</b>	20.7°~66.0°				
<b>Angle of View (O)</b>	31.6°~121.0°				
<b>Shutter</b>	Auto/Manual, 1 ~ 1/100000s				
<b>Adjustment angle</b>	Pan: 0°~355°		Tilt: 0°~80°		Rotate: 0°~355°
<b>Min. Illumination</b>	Colour:0.002lux (F1.2, AGC ON) 0 lux with IR				
<b>WDR</b>	120dB				
<b>Day/Night</b>	IR-cut filter with auto switch (ICR)				
<b>IR Range</b>	Up to 40m (131 ft) IR range				
<b>Wavelength</b>	850nm				
<b>IR On/Off Control</b>	Auto/Manual				
<b>Defog</b>	Digital Defog				
<b>Video</b>					
<b>Video Compression</b>	Ultra 265, H.265, H.264, MJPEG				
<b>Frame Rate</b>	Main Stream: 5MP(2592*1944),Max 20fps; 4MP(2560*1440),Max 30fps; Sub Stream: 2MP (1920*1080), Max 30fps; Third Stream: D1 (720*576), Max 30fps				
<b>Video Bit Rate</b>	128 Kbps~16 Mbps				
<b>ROI</b>	Supported				
<b>Video stream</b>	Triple streams				
<b>OSD</b>	Up to 8 OSDs				
<b>Privacy Mask</b>	Up to 8 areas(8 blacks/4 mosaics+4 blacks)				
<b>Image</b>					
<b>White Balance</b>	Auto/Outdoor/Fine Tune/Sodium Lamp/Locked/Auto2				
<b>Digital noise reduction</b>	2D/3D DNR				
<b>Smart IR</b>	Support				
<b>Flip</b>	Normal/Flip Vertical/Flip Horizontal/180°/90°Clockwise/90°Anti-clockwise				
<b>HLC</b>	Support				
<b>BLC</b>	Support				

<b>Smart</b>	
<b>General Function</b>	<i>Watermark, IP Address Filtering, Tampering Alarm, Alarm input, Alarm output, Access Policy, ARP Protection, RTSP Authentication, User Authentication</i>
<b>Audio</b>	
<b>Audio Compression</b>	<i>G.711U, G.711A</i>
<b>Two-way Audio</b>	<i>Supported</i>
<b>Suppression</b>	<i>Supported</i>
<b>Sampling Rate</b>	<i>8KHZ</i>
<b>Storage</b>	
<b>Edge Storage</b>	<i>Micro SD, up to 256 GB</i>
<b>Network Storage</b>	<i>ANR,NAS(NFS)</i>
<b>Network</b>	
<b>Protocols</b>	<i>IPv4, IGMP, ICMP, ARP, TCP, UDP, DHCP, PPPoE, RTP, RTSP, RTCP, DNS, DDNS, NTP, FTP, UPnP, HTTP, HTTPS, SMTP, 802.1x, SNMP, QoS, RTMP</i>
<b>Compatible Integration</b>	<i>ONVIF (Profile S, Profile G, Profile T), API</i>
<b>Client</b>	<i>EZStation EZLive Ezview</i>
<b>Web Browser</b>	<i>Plug-in required live view: IE9+, Chrome 41 and below, Firefox 52 and below</i>
<b>Interface</b>	
<b>Audio I/O</b>	<i>Audio cable</i>
	<i>1 Input: impedance 35kΩ; amplitude 2V *p-p]</i>
	<i>1 output: impedance 600Ω; amplitude 2V *p-p]</i>
<b>Alarm I/O</b>	<i>1/1</i>
<b>Built-in Mic</b>	<i>Supported</i>
<b>Built-in Speaker</b>	<i>Supported</i>
<b>Network</b>	<i>1 * RJ45 10M/100M Base-TX Ethernet</i>
<b>Certification</b>	
<b>Certifications</b>	<i>CE: EN 60950-1</i>
	<i>UL: UL 60950-1</i>
	<i>FCC: FCC Part 15</i>
<b>General</b>	
<b>Power</b>	<i>DC12V(±25%), PoE(IEEE 802.3af)</i>
	<i>Power consumption: Max 10.8W</i>
	<i>Support overcurrent protection, Input short circuit protection</i>
<b>Dimensions (Ø x H)</b>	<i>Φ148.0 x 111.4mm (Φ5.8" x4.4")</i>
<b>Weight</b>	<i>0.93kg(2.05lb)</i>
<b>Working Environment</b>	<i>-40℃~60℃(-40°F ~ 140°F), ≤95%RH</i>
<b>Storage Environment</b>	<i>-40℃~70℃(-40°F ~ 158°F), ≤95%RH</i>
<b>Surge protection</b>	<i>6KV</i>
<b>Vandal Resistant</b>	<i>IK10</i>
<b>Ingress Protection</b>	<i>IP67</i>

## Dimensions



## Accessories

**TR-JB04-C-IN**



**TR-JB07/WM04-B-IN**



**TR-WM04-IN**



**TR-FM152-A-IN**



**TR-SM04-IN**


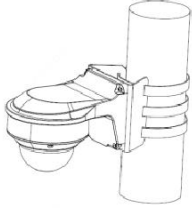

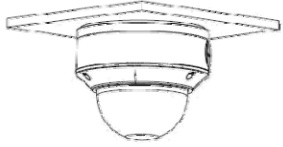


**TR-A01-IN**



**TR-UP06-IN**



<i>Junction Mount</i>	<i>Pole Mount</i>
<b>TR-JB04-C-IN+ TR-A01-IN</b>	<b>TR-JB07/WM04-B-IN、 TR-WM04-IN+TR-UP06-IN</b>
	
<i>In-ceiling Mount</i>	<i>Electric-box Transfer plate</i>
<b>TR-FM152-A-IN</b>	<b>TR-SM04-IN</b>
	



**“Reliable Integrated Video Surveillance Solutions Provider”**

**Shenzhen Starlink Technology Co.,Ltd**

No.1079, Minzhi Street, Longhua District, Shenzhen, P.R.China 518131

Email: [info@qixingtechnology.com](mailto:info@qixingtechnology.com); [qixing@qixingtechnology.com](mailto:qixing@qixingtechnology.com)

<https://www.qixingtechnology.com>

©2009-2018 Shenzhen Starlink Technology Co.,Ltd. All rights reserved.

\*Product specifications and availability are subject to change without notice.